

U16F -52 kg

Competitors A

#	Name	Grade	Club	1	2	3	Wins	Pts	Pos
1	Brooklyn FRANSON	Orange	Saskatoon YMCA	XX	10	1	2	11	1
2	Jayna JOHNSTON	Green	Kodokwai		XX	5	1	5	2
3	Rylie CALDWELL	Green	Lethbridge Kyodokan			XX	0	0	3

Matches A

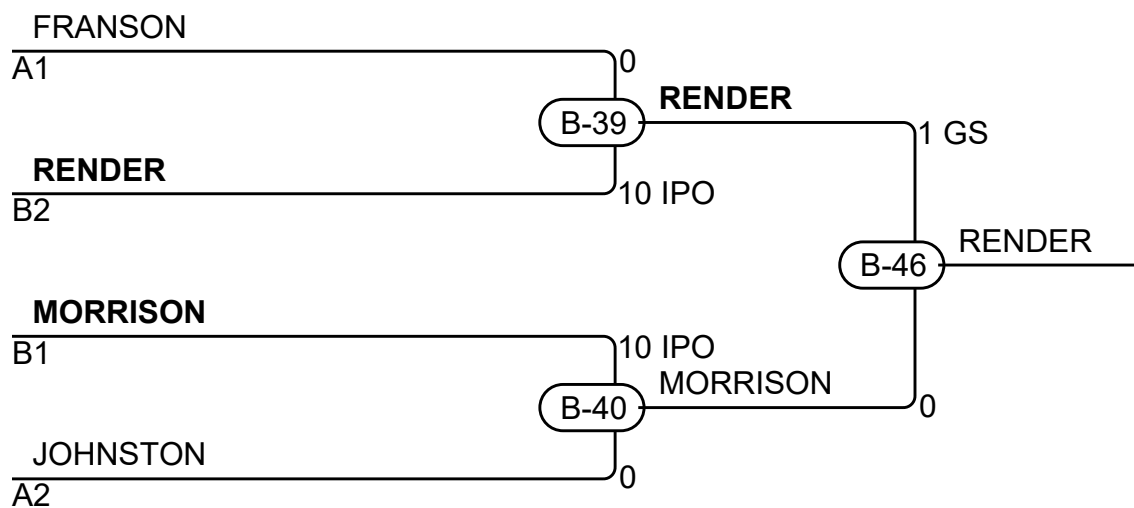
Match	White	Blue	Result	Time	Code
B-17	Brooklyn FRANSON	Jayna JOHNSTON	10 - 0	0:37	IPO
B-25	Brooklyn FRANSON	Rylie CALDWELL	1 - 0	3:45	GS
B-33	Jayna JOHNSTON	Rylie CALDWELL	5 - 0	3:00	WAZ

Competitors B

#	Name	Grade	Club	4	5	6	Wins	Pts	Pos
4	Kayla JOHNSON	Orange	Tokugawa	XX			0	0	3
5	Mckinna MORRISON	Blue	Ishi Yama	10	XX	5	2	15	1
6	Callie RENDER	Green	Lethbridge Kyodokan	10		XX	1	10	2

Matches B

Match	White	Blue	Result	Time	Code
B-18	Kayla JOHNSON	Mckinna MORRISON	0 - 10	0:23	WIP
B-26	Kayla JOHNSON	Callie RENDER	0 - 10	1:09	IPO
B-34	Mckinna MORRISON	Callie RENDER	5 - 0	3:00	WAZ



Results

Pos	Name
1	Callie RENDER, Lethbridge Kyodokan
2	Mckinna MORRISON, Ishi Yama
3	Brooklyn FRANSON, Saskatoon YMCA
3	Jayna JOHNSTON, Kodokwai