

U14F -32 kg

Competitors A

#	Name	Grade	Club	1	2	3	Wins	Pts	Pos
1	Jackie BROWN	Orange	Airdrie Eidokan	XX	10	10	2	20	1
2	Kami IWAASA	Orange	Lethbridge Kyodokan		XX		0	0	3
3	Emily SNOOK	Yellow	Avonhurst		10	XX	1	10	2

Matches A

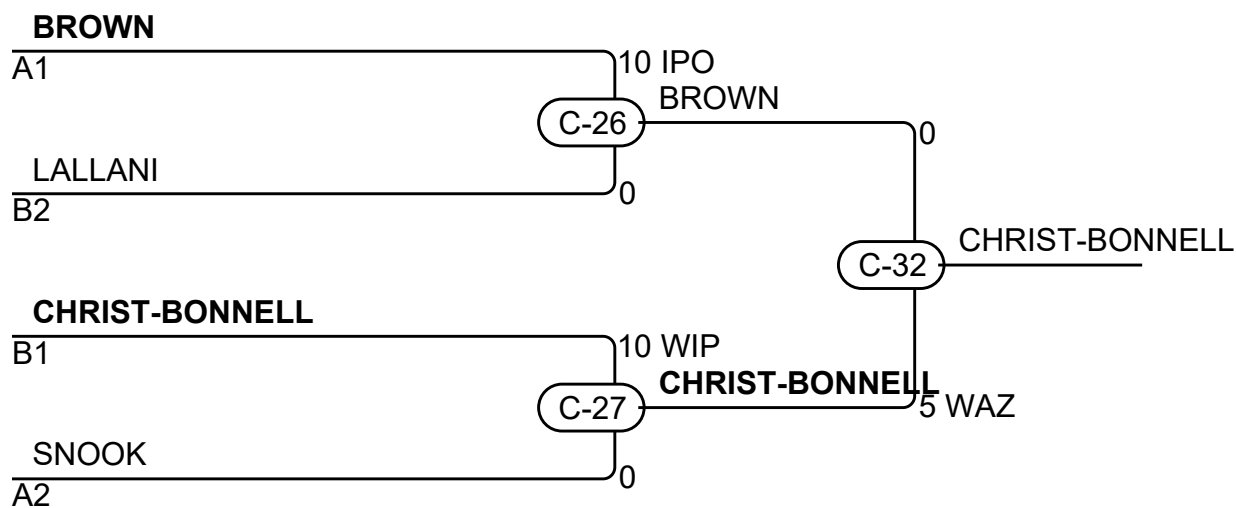
Match	White	Blue	Result	Time	Code
C-7	Jackie BROWN	Kami IWAASA	10 - 0	0:23	IPO
C-15	Jackie BROWN	Emily SNOOK	10 - 0	0:09	IPO
C-21	Kami IWAASA	Emily SNOOK	0 - 10	1:49	IPO

Competitors B

#	Name	Grade	Club	4	5	6	Wins	Pts	Pos
4	Kiandra CHRIST-BONNELL	Green	Nakamura	XX	10	10	2	20	1
5	Sofia LALLANI	Orange	Airdrie Eidokan		XX	10	1	10	2
6	Keyanna GINTER-BENNETT	Orange	Swift Current			XX	0	0	3

Matches B

Match	White	Blue	Result	Time	Code
C-8	Kiandra CHRIST-BONNELL	Sofia LALLANI	10 - 0	0:41	IPO
C-16	Kiandra CHRIST-BONNELL	Keyanna GINTER-BENNETT	10 - 0	0:48	WIP
C-22	Sofia LALLANI	Keyanna GINTER-BENNETT	10 - 0	0:17	WIP



Results

Pos	Name
1	Kiandra CHRIST-BONNELL, Nakamura
2	Jackie BROWN, Airdrie Eidokan
3	Sofia LALLANI, Airdrie Eidokan
3	Emily SNOOK, Avonhurst

U14F -40 kg

Competitors

#	Name	Grade	Club	1	2	3	4	Wins	Pts	Pos
1	Rory ROSS	Green	Lethbridge Kyodokan	XX	10	10	10	3	30	1
2	Tegan WESTLAKE	Green	Lethbridge Kyodokan		XX	10	10	2	20	2
3	Avery GIBNEY	Orange	Koseikan			XX	5	1	5	3
4	Kolbi FENRICK	Green	Moose Jaw Koseikan Judo Club				XX	0	0	4

Matches

Match	White			Blue	Result	Time	Code
C-3	Rory ROSS	1	2	Tegan WESTLAKE	10 - 0	1:07	IPO
C-4	Avery GIBNEY	3	4	Kolbi FENRICK	5 - 0	3:00	WAZ
C-11	Rory ROSS	1	3	Avery GIBNEY	10 - 0	0:26	WIP
C-12	Tegan WESTLAKE	2	4	Kolbi FENRICK	10 - 0	1:45	IPO
C-19	Rory ROSS	1	4	Kolbi FENRICK	10 - 0	0:15	IPO
C-20	Tegan WESTLAKE	2	3	Avery GIBNEY	10 - 0	1:33	IPO

Results

Pos	Name
1	Rory ROSS, Lethbridge Kyodokan
2	Tegan WESTLAKE, Lethbridge Kyodokan
3	Avery GIBNEY, Koseikan

U14F -44 kg

Competitors A

#	Name	Grade	Club	1	2	3	4	Wins	Pts	Pos
1	Leann HUANG	Green	Regina Y	XX			10	1	10	3
2	Reigann CALDWELL	Green	Lethbridge Kyodokan	10	XX		10	2	20	2
3	Abigail SHEEHAN	Green	Campbell River	5	1	XX	10	3	16	1
4	Tori HALLAM	Orange	Swift Current				XX	0	0	4

Matches A

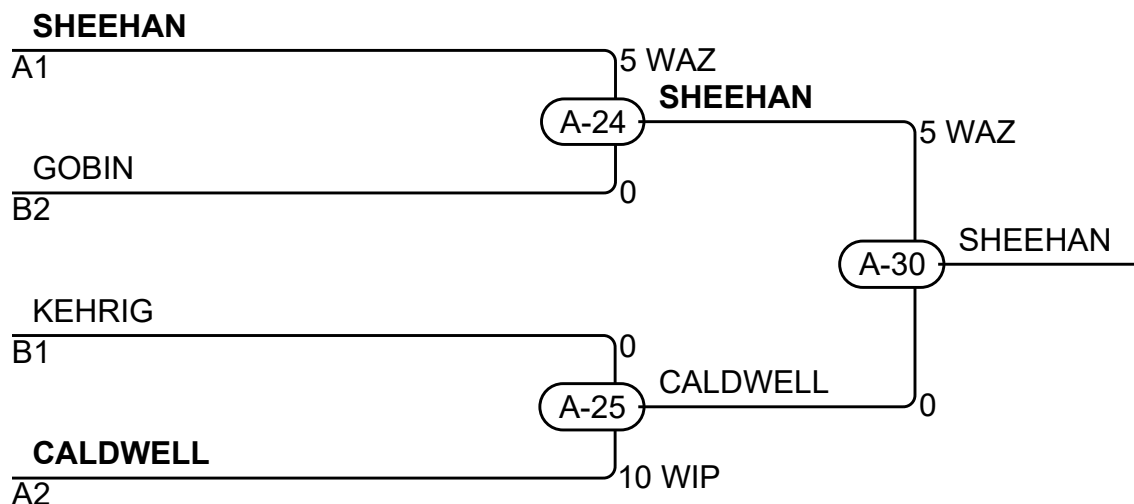
Match	White	Blue	Result	Time	Code
A-1	Leann HUANG 1 2	Reigann CALDWELL	0 - 10	1:46	IPO
A-6	Abigail SHEEHAN 3 4	Tori HALLAM	10 - 0	0:18	IPO
A-12	Leann HUANG 1 3	Abigail SHEEHAN	0 - 5	3:00	WAZ
A-13	Reigann CALDWELL 2 4	Tori HALLAM	10 - 0	0:25	IPO
A-18	Leann HUANG 1 4	Tori HALLAM	10 - 0	0:27	WIP
A-19	Reigann CALDWELL 2 3	Abigail SHEEHAN	0 - 1	3:00	YUS

Competitors B

#	Name	Grade	Club	5	6	7	Wins	Pts	Pos
5	Victoria KEHRIG	Green	Avonhurst	XX	10	10	2	20	1
6	Hana GOBIN	Orange	Red Deer		XX	10	1	10	2
7	Jada POMMER	Orange	West Kildonan			XX	0	0	3

Matches B

Match	White	Blue	Result	Time	Code
A-7	Victoria KEHRIG 5 6	Hana GOBIN	10 - 0	0:32	IPO
A-14	Victoria KEHRIG 5 7	Jada POMMER	10 - 0	0:34	WIP
A-20	Hana GOBIN 6 7	Jada POMMER	10 - 0	1:15	IPO



Results

Pos	Name
1	Abigail SHEEHAN, Campbell River
2	Reigann CALDWELL, Lethbridge Kyodokan
3	Hana GOBIN, Red Deer
3	Victoria KEHRIG, Avonhurst

U14F -57 kg

Competitors

#	Name	Grade	Club	1	2	3	4	Wins	Pts	Pos
1	Kayla JOHNSON	Orange	Tokugawa	XX	10	10	10	3	30	1
2	Hannah Mae VAILLANCOURT GAMA DA SILVA	Orange	Airdrie Eidokan		XX			0	0	4
3	Autumn GIENOW	Green	Avonhurst		10	XX	10	2	20	2
4	Isabella MCLEAN	Orange	Portage		1		XX	1	1	3

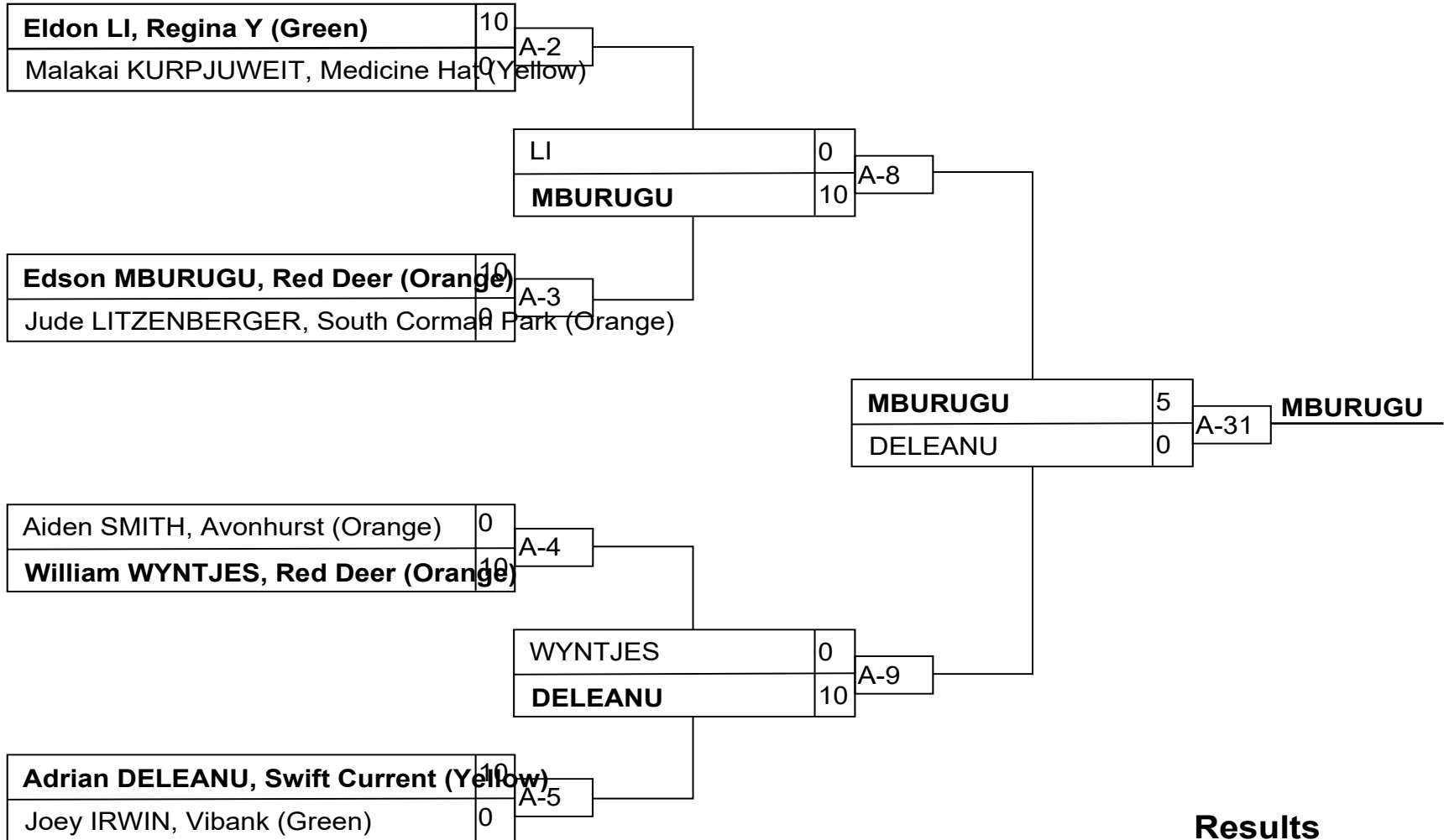
Matches

Match	White	Blue	Result	Time	Code
C-5	Kayla JOHNSON	Hannah Mae VAILLANCOURT GAMA DA SILVA	10 - 0	0:15	IPO
C-6	Autumn GIENOW	Isabella MCLEAN	10 - 0	0:07	IPO
C-13	Kayla JOHNSON	Autumn GIENOW	10 - 0	0:07	IPO
C-14	Hannah Mae VAILLANCOURT GAMA DA SILVA	Isabella MCLEAN	0 - 1	6:00	YUS
C-23	Kayla JOHNSON	Isabella MCLEAN	10 - 0	0:29	IPO
C-24	Hannah Mae VAILLANCOURT GAMA DA SILVA	Autumn GIENOW	0 - 10	1:02	IPO

Results

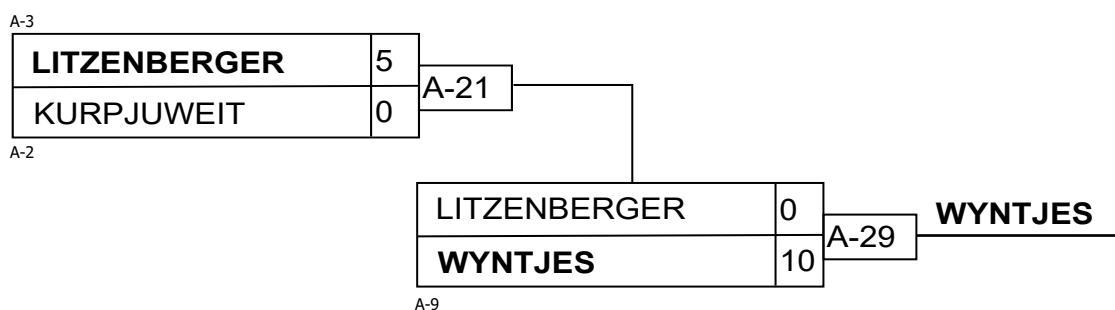
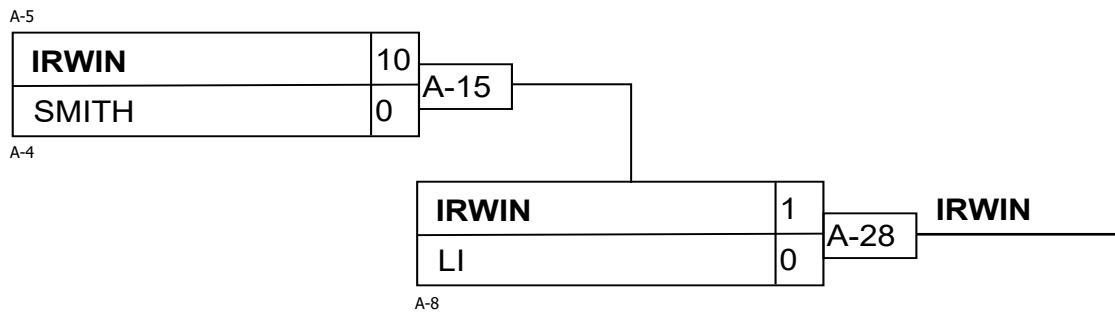
Pos	Name
1	Kayla JOHNSON, Tokugawa
2	Autumn GIENOW, Avonhurst
3	Isabella MCLEAN, Portage

U14M -38 kg



Results

Pos	Name
1	Edson MBURUGU, Red Deer (Orange)
2	Adrian DELEANU, Swift Current (Yellow)
3	Joey IRWIN, Vibank (Green)
3	William WYNTJES, Red Deer (Orange)



U14M -42 kg

Competitors

#	Name	Grade	Club	1	2	3	Wins	Pts	Pos
1	Stefan TESANOVIC	Green	Ishi Yama	XX	10	10	2	20	1
2	Seth TRINIER	Green	Tolide		XX	10	1	10	2
3	Tanner Charles Allan DRON	Orange	Southwest			XX	0	0	3

Matches

Match	White			Blue	Result	Time	Code
B-1	Stefan TESANOVIC	1	2	Seth TRINIER	10 - 0	0:06	IPO
B-6	Stefan TESANOVIC	1	3	Tanner Charles Allan DRON	10 - 0	0:06	IPO
B-18	Seth TRINIER	2	3	Tanner Charles Allan DRON	10 - 0	0:08	IPO

Results

Pos	Name
1	Stefan TESANOVIC, Ishi Yama
2	Seth TRINIER, Tolide

U14M -46 kg

Competitors

#	Name	Grade	Club	1	2	3	4	Wins	Pts	Pos
1	Sawyer ALTHOUSE	Orange	Lethbridge Kyodokan	XX	10	10	10	3	30	1
2	Garrett PARKER	Green	Barracuda		XX	10		1	10	3
3	Everett PENNY	Orange	Swift Current			XX		0	0	4
4	Harmen HAASE	Green	Regina Y		10	10	XX	2	20	2

Matches

Match	White			Blue	Result	Time	Code
C-1	Sawyer ALTHOUSE	1	2	Garrett PARKER	10 - 0	2:01	IPO
C-2	Everett PENNY	3	4	Harmen HAASE	0 - 10	0:02	IPO
C-9	Sawyer ALTHOUSE	1	3	Everett PENNY	10 - 0	0:59	WIP
C-10	Garrett PARKER	2	4	Harmen HAASE	0 - 10	0:56	IPO
C-17	Sawyer ALTHOUSE	1	4	Harmen HAASE	10 - 0	2:59	WIP
C-18	Garrett PARKER	2	3	Everett PENNY	10 - 0	0:27	IPO

Results

Pos	Name
1	Sawyer ALTHOUSE, Lethbridge Kyodokan
2	Harmen HAASE, Regina Y
3	Garrett PARKER, Barracuda

U14M -50 kg

Competitors

#	Name	Grade	Club	1	2	3	Wins	Pts	Pos
1	Maxwell BROWN	Green	Airdrie Eidokan	XX		10	1	10	2
2	Taisei CROOK	Green	Hiro's	1	XX	10	2	11	1
3	Riley Nicholas JORGENSEN	Orange	Southwest			XX	0	0	3

Matches

Match	White			Blue	Result	Time	Code
B-2	Maxwell BROWN	1	2	Taisei CROOK	0 - 1	3:00	YUS
B-10	Maxwell BROWN	1	3	Riley Nicholas JORGENSEN	10 - 0	0:11	IPO
B-17	Taisei CROOK	2	3	Riley Nicholas JORGENSEN	10 - 0	0:12	IPO

Results

Pos	Name
1	Taisei CROOK, Hiro's
2	Maxwell BROWN, Airdrie Eidokan

U14M -55 kg

Competitors

#	Name	Grade	Club	1	2	1	2	1	2	Wins	Pts	Pos
1	Habib SAID MOHAMMOD	Green	Kodokwai	XX	10	XX	10	XX		2	20	1
2	Wyatt HEDLIN	Orange	Ju No Ri Watrous		XX		XX		XX	0	0	2

Matches

Match	White			Blue	Result	Time	Code
B-3	Habib SAID MOHAMMOD	1	2	Wyatt HEDLIN	10 - 0	0:08	IPO
B-11	Wyatt HEDLIN	2	1	Habib SAID MOHAMMOD	0 - 10	0:20	IPO
B-19	Habib SAID MOHAMMOD	1	2	Wyatt HEDLIN			

Results

Pos	Name
1	Habib SAID MOHAMMOD, Kodokwai

U14M -60 kg

Competitors

#	Name	Grade	Club	1	2	3	4	Wins	Pts	Pos
1	Dylan WIEBE	Green	Selkirk	XX				0	0	4
2	Daniel EKOSKY	Green	Selkirk	10	XX	10		2	20	2
3	Soren TABOULCHANAS	Green	Lethbridge Kyodokan	10		XX		1	10	3
4	Nicolas VILLA	Green	Nakamura	10	10	10	XX	3	30	1

Matches

Match	White			Blue	Result	Time	Code
A-10	Dylan WIEBE	1	2	Daniel EKOSKY	0 - 10	0:19	IPO
A-11	Soren TABOULCHANAS	3	4	Nicolas VILLA	0 - 10	1:57	WIP
A-16	Dylan WIEBE	1	3	Soren TABOULCHANAS	0 - 10	2:15	IPO
A-17	Daniel EKOSKY	2	4	Nicolas VILLA	0 - 10	2:58	IPO
A-22	Dylan WIEBE	1	4	Nicolas VILLA	0 - 10	0:35	WIP
A-23	Daniel EKOSKY	2	3	Soren TABOULCHANAS	10 - 0	1:25	IPO

Results

Pos	Name
1	Nicolas VILLA, Nakamura
2	Daniel EKOSKY, Selkirk
3	Soren TABOULCHANAS, Lethbridge Kyodokan

U14M +66 kg

Competitors

#	Name	Grade	Club	1	2	3	Wins	Pts	Pos
1	Theofanis LAPPAS	Yellow	Regina Y	XX			0	0	3
2	Spiro TSAKAS	Orange	Regina Y	10	XX	10	2	20	1
3	Isaiah SEVERIGHT	Yellow	Avonhurst	10		XX	1	10	2

Matches

Match	White			Blue	Result	Time	Code
B-4	Theofanis LAPPAS	1	2	Spiro TSAKAS	0 - 10	0:19	WIP
B-12	Theofanis LAPPAS	1	3	Isaiah SEVERIGHT	0 - 10	0:23	WIP
B-20	Spiro TSAKAS	2	3	Isaiah SEVERIGHT	10 - 0	0:34	WIP

Results

Pos	Name
1	Spiro TSAKAS, Regina Y
2	Isaiah SEVERIGHT, Avonhurst

U18F -44 kg

Competitors

#	Name	Grade	Club	1	2	3	4	Wins	Pts	Pos
1	Evelyn BEATON	Blue	Lethbridge Kyodokan	XX	10	10	10	3	30	1
2	Brynn IWAASA	Green	Lethbridge Kyodokan		XX	10	10	2	20	2
3	Nadine BONDT	Green	Vernon			XX	10	1	10	3
4	Devrie NEWSTED	Green	Lloydminster				XX	0	0	4

Matches

Match	White			Blue	Result	Time	Code
A-45	Evelyn BEATON	1	2	Brynn IWAASA	10 - 0	0:49	IPO
A-46	Nadine BONDT	3	4	Devrie NEWSTED	10 - 0	1:04	IPO
A-56	Evelyn BEATON	1	3	Nadine BONDT	10 - 0	0:09	IPO
A-57	Brynn IWAASA	2	4	Devrie NEWSTED	10 - 0	3:22	IPO
A-67	Evelyn BEATON	1	4	Devrie NEWSTED	10 - 0	1:49	IPO
A-68	Brynn IWAASA	2	3	Nadine BONDT	10 - 0	0:32	IPO

Results

Pos	Name
1	Evelyn BEATON, Lethbridge Kyodokan
2	Brynn IWAASA, Lethbridge Kyodokan
3	Nadine BONDT, Vernon

U18F -48 kg

Competitors A

#	Name	Grade	Club	1	2	3	Wins	Pts	Pos
1	Anna PRUS-CZARNECKA	Brown	Kodokwai	XX			0	0	3
2	Klavdia DANILKOV	Brown	Burnaby	10	XX		1	10	2
3	Tami GOTO	Shodan	Prince George	10	10	XX	2	20	1

Matches A

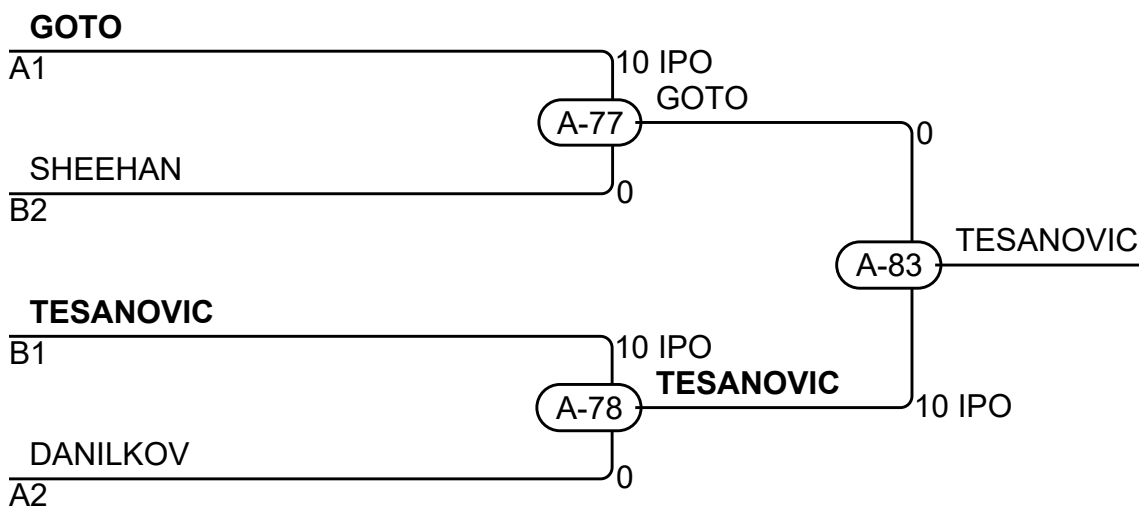
Match	White	Blue	Result	Time	Code
A-49	Anna PRUS-CZARNECKA 1 2	Klavdia DANILKOV	0 - 10	1:06	IPO
A-60	Anna PRUS-CZARNECKA 1 3	Tami GOTO	0 - 10	2:21	IPO
A-71	Klavdia DANILKOV 2 3	Tami GOTO	0 - 10	2:56	IPO

Competitors B

#	Name	Grade	Club	4	5	6	Wins	Pts	Pos
4	June KIM	Green	Lethbridge Kyodokan	XX			0	0	3
5	Emilija Ema TESANOVIC	Brown	Ishi Yama	10	XX	10	2	20	1
6	Olivia SHEEHAN	Blue	Campbell River	10		XX	1	10	2

Matches B

Match	White	Blue	Result	Time	Code
A-50	June KIM 4 5	Emilija Ema TESANOVIC	0 - 10	0:48	IPO
A-61	June KIM 4 6	Olivia SHEEHAN	0 - 10	0:43	IPO
A-72	Emilija Ema TESANOVIC 5 6	Olivia SHEEHAN	10 - 0	0:10	IPO



Results

Pos	Name
1	Emilija Ema TESANOVIC, Ishi Yama
2	Tami GOTO, Prince George
3	Olivia SHEEHAN, Campbell River
3	Klavdia DANILKOV, Burnaby

U18F -52 kg

Competitors

#	Name	Grade	Club	1	2	3	4	5	Wins	Pts	Pos
1	Kondelia KARAS	Blue	Kodokwai	XX	5	10	10		3	25	2
2	Sasha CHILIBECK	Blue	Saskatoon YMCA		XX		10		1	10	4
3	Nina ZIGIC	Blue	Nakamura		10	XX	10		2	20	3
4	Rylie CALDWELL	Green	Lethbridge Kyodokan				XX		0	0	5
5	Michelle GRISALES	Blue	Hoku Sei Kan	5	10	10	5	XX	4	30	1

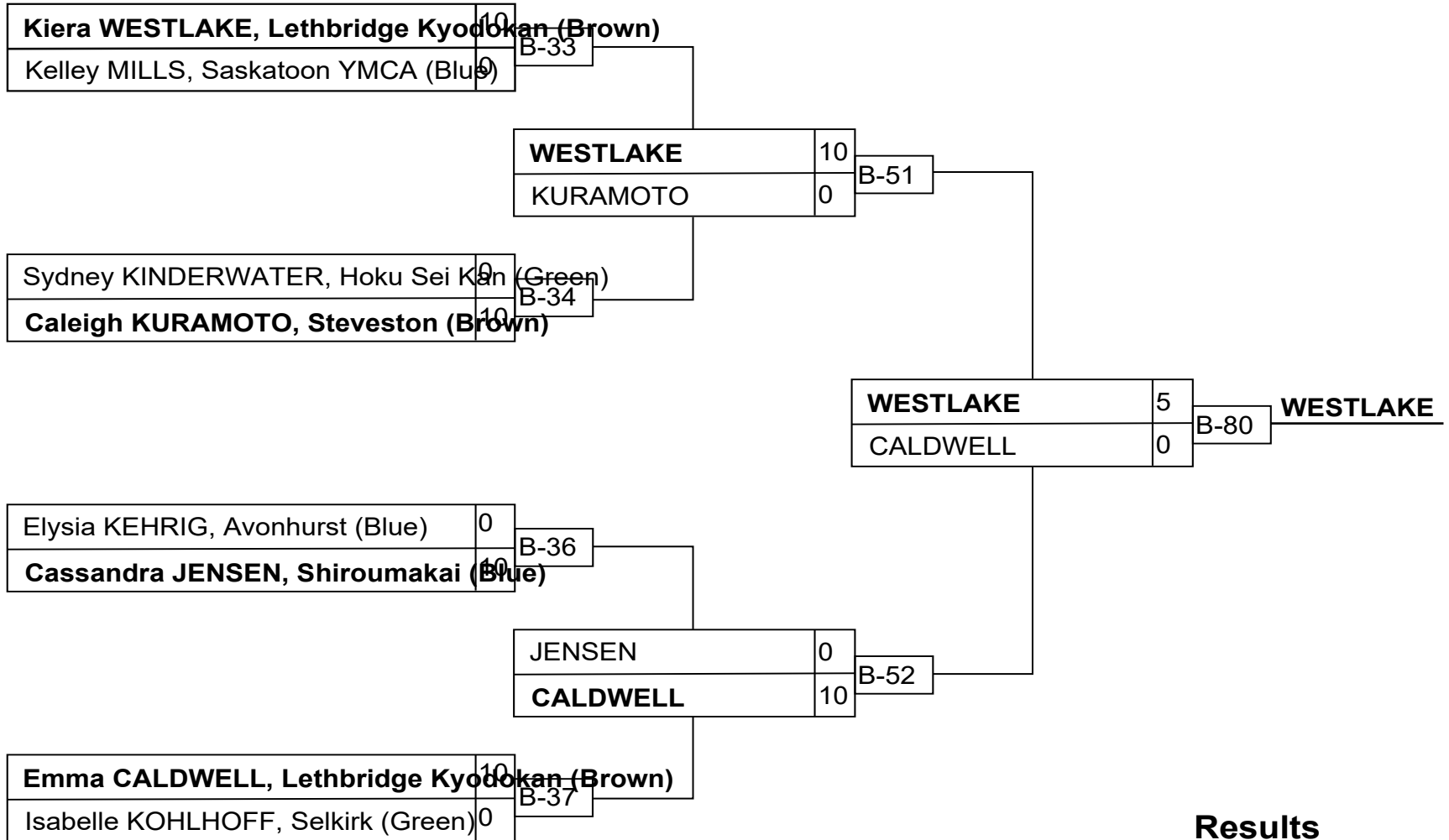
Matches

Match	White			Blue	Result	Time	Code
C-42	Rylie CALDWELL	4	5	Michelle GRISALES	0 - 5	4:00	WAZ
C-43	Kondelia KARAS	1	2	Sasha CHILIBECK	5 - 0	6:03	GSW
C-48	Nina ZIGIC	3	4	Rylie CALDWELL	10 - 0	0:39	WIP
C-49	Kondelia KARAS	1	5	Michelle GRISALES	0 - 5	4:00	WAZ
C-54	Sasha CHILIBECK	2	3	Nina ZIGIC	0 - 10	1:59	WIP
C-55	Kondelia KARAS	1	4	Rylie CALDWELL	10 - 0	3:15	WIP
C-65	Nina ZIGIC	3	5	Michelle GRISALES	0 - 10	0:09	IPO
C-66	Sasha CHILIBECK	2	4	Rylie CALDWELL	10 - 0	2:21	WIP
C-72	Kondelia KARAS	1	3	Nina ZIGIC	10 - 0	0:48	IPO
C-73	Sasha CHILIBECK	2	5	Michelle GRISALES	0 - 10	1:17	WIP

Results

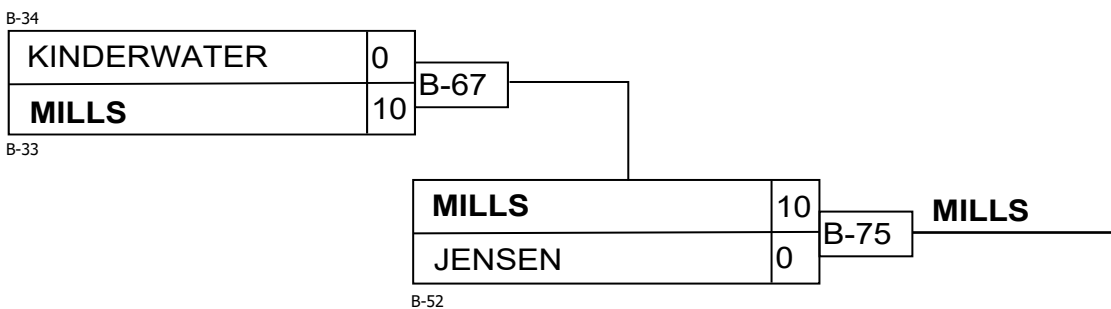
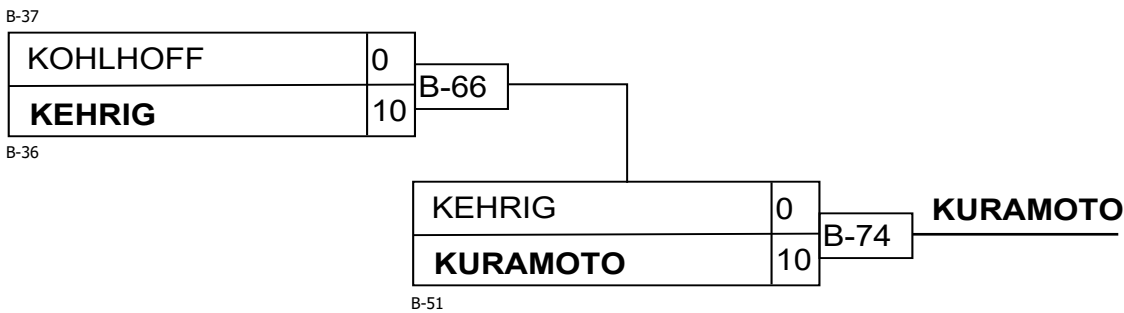
Pos	Name
1	Michelle GRISALES, Hoku Sei Kan
2	Kondelia KARAS, Kodokwai
3	Nina ZIGIC, Nakamura
4	Sasha CHILIBECK, Saskatoon YMCA

U18F -57 kg

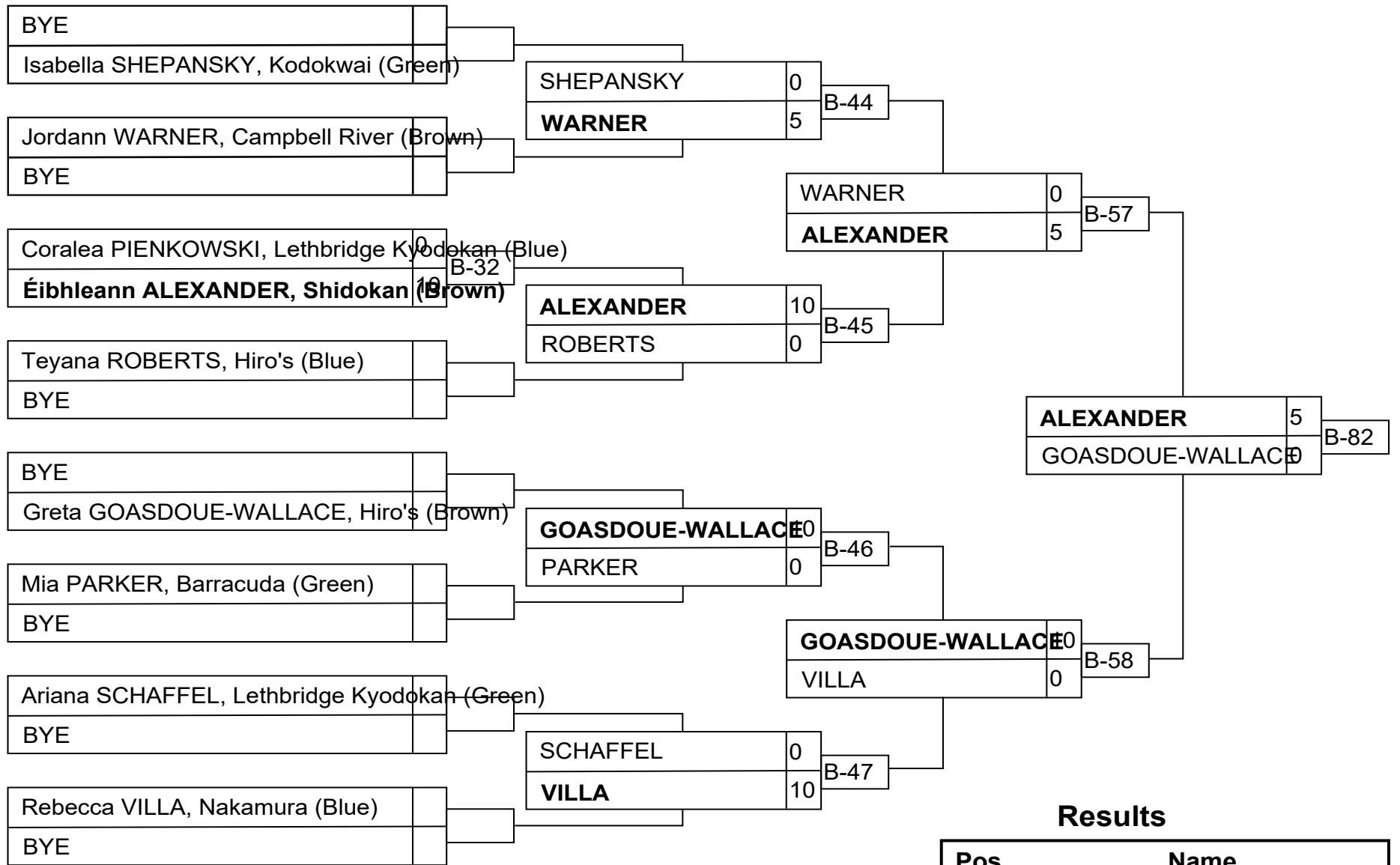


Results

Pos	Name
1	Kiera WESTLAKE, Lethbridge Kyodokan (Brown)
2	Emma CALDWELL, Lethbridge Kyodokan (Brown)
3	Caleigh KURAMOTO, Steveston (Brown)
3	Kelley MILLS, Saskatoon YMCA (Blue)

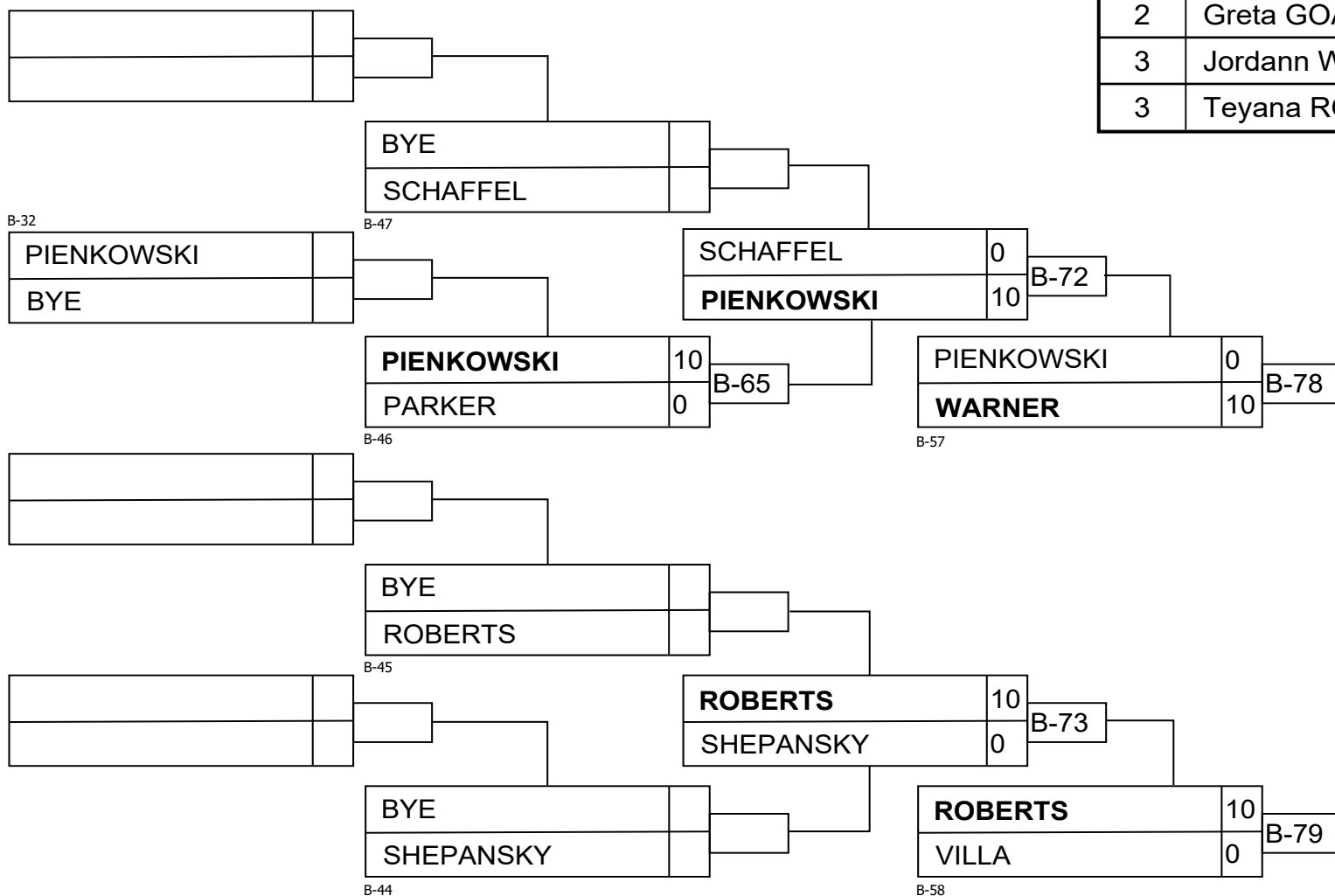


U18F -63 kg



Results

Pos	Name
1	Éibhleann ALEXANDER, Shidokan (Brown)
2	Greta GOASDOUE-WALLACE, Hiro's (Brown)
3	Jordann WARNER, Campbell River (Brown)
3	Teyana ROBERTS, Hiro's (Blue)



U18F -70 kg

Competitors

#	Name	Grade	Club	1	2	3	Wins	Pts	Pos
1	Yana JACOBS	Green	Campbell River	XX			0	0	3
2	Brae BOOTH	Brown	Creston	10	XX		1	10	2
3	Julia SERGEEVA	Brown	Kodokwai	10	5	XX	2	15	1

Matches

Match	White			Blue	Result	Time	Code
C-91	Yana JACOBS	1	2	Brae BOOTH	0 - 10	0:11	IPO
C-96	Yana JACOBS	1	3	Julia SERGEEVA	0 - 10	2:52	WIP
C-101	Brae BOOTH	2	3	Julia SERGEEVA	0 - 5	4:00	WAZ

Results

Pos	Name
1	Julia SERGEEVA, Kodokwai
2	Brae BOOTH, Creston

U18F +70 kg

Competitors

#	Name	Grade	Club	1	2	1	2	1	2	Wins	Pts	Pos
1	Janessa KEAYS	Blue	Kenshukan	XX		XX	10	XX	10	2	20	1
2	Zoe ELLIS	Orange	Tokugawa	10	XX		XX		XX	1	10	2

Matches

Match	White			Blue	Result	Time	Code
C-56	Janessa KEAYS	1	2	Zoe ELLIS	0 - 10	2:02	WIP
C-67	Zoe ELLIS	2	1	Janessa KEAYS	0 - 10	1:56	WIP
C-74	Janessa KEAYS	1	2	Zoe ELLIS	10 - 0	0:01	KIK

Results

Pos	Name
1	Janessa KEAYS, Kenshukan
2	Zoe ELLIS, Tokugawa

U18M -46 kg

Competitors A

#	Name	Grade	Club	1	2	3	4	Wins	Pts	Pos
1	Aidan LAZENBY	Brown	Lethbridge Kyodokan	XX	10	10	10	3	30	1
2	Victor VYSOTSKI	Blue	Kodokwai		XX			0	0	4
3	Philip ALLEN	Green	Lethbridge Kyodokan		10	XX	10	2	20	2
4	Andries VANZYL	Blue	Hart		10		XX	1	10	3

Matches A

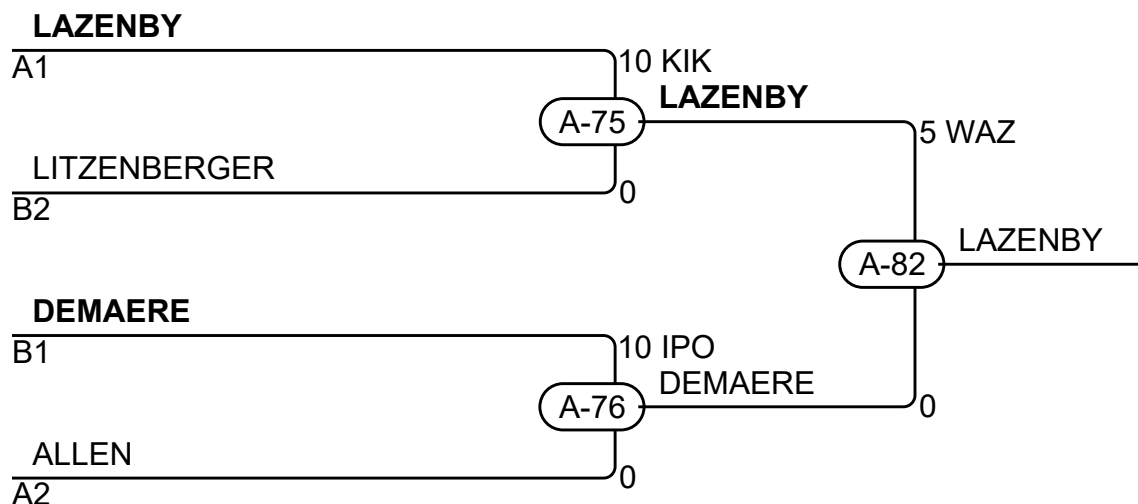
Match	White	Blue	Result	Time	Code
A-42	Aidan LAZENBY 1 2	Victor VYSOTSKI	10 - 0	2:21	IPO
A-43	Philip ALLEN 3 4	Andries VANZYL	10 - 0	0:19	WIP
A-53	Aidan LAZENBY 1 3	Philip ALLEN	10 - 0	2:06	IPO
A-54	Victor VYSOTSKI 2 4	Andries VANZYL	0 - 10	1:37	WIP
A-64	Aidan LAZENBY 1 4	Andries VANZYL	10 - 0	1:53	WIP
A-65	Victor VYSOTSKI 2 3	Philip ALLEN	0 - 10	0:01	KIK

Competitors B

#	Name	Grade	Club	5	6	7	Wins	Pts	Pos
5	Caleb DEMAERE	Blue	Lethbridge Kyodokan	XX	10	5	2	15	1
6	Elijah HILL	Blue	Lethbridge Kyodokan		XX		0	0	3
7	Euan LITZENBERGER	Blue	South Corman Park		5	XX	1	5	2

Matches B

Match	White	Blue	Result	Time	Code
A-44	Caleb DEMAERE 5 6	Elijah HILL	10 - 0	1:01	IPO
A-55	Caleb DEMAERE 5 7	Euan LITZENBERGER	5 - 0	4:31	GSW
A-66	Elijah HILL 6 7	Euan LITZENBERGER	0 - 5	12:48	GSW



Results

Pos	Name
1	Aidan LAZENBY, Lethbridge Kyodokan
2	Caleb DEMAERE, Lethbridge Kyodokan
3	Euan LITZENBERGER, South Corman Park
3	Philip ALLEN, Lethbridge Kyodokan

U18M -50 kg

Competitors

#	Name	Grade	Club	1	2	3	4	5	Wins	Pts	Pos
1	Maximus JOE	Brown	Burnaby	XX	10	10	10	10	4	40	1
2	Douglas O'BRIEN	Brown	Hiro's		XX	10		10	2	20	3
3	Kelden CHRIST-BONNELL	Blue	Nakamura			XX		10	1	10	4
4	Asher YOUNG	Blue	Hart		5	10	XX	10	3	25	2
5	Aidan KEYES	Blue	Police					XX	0	0	5

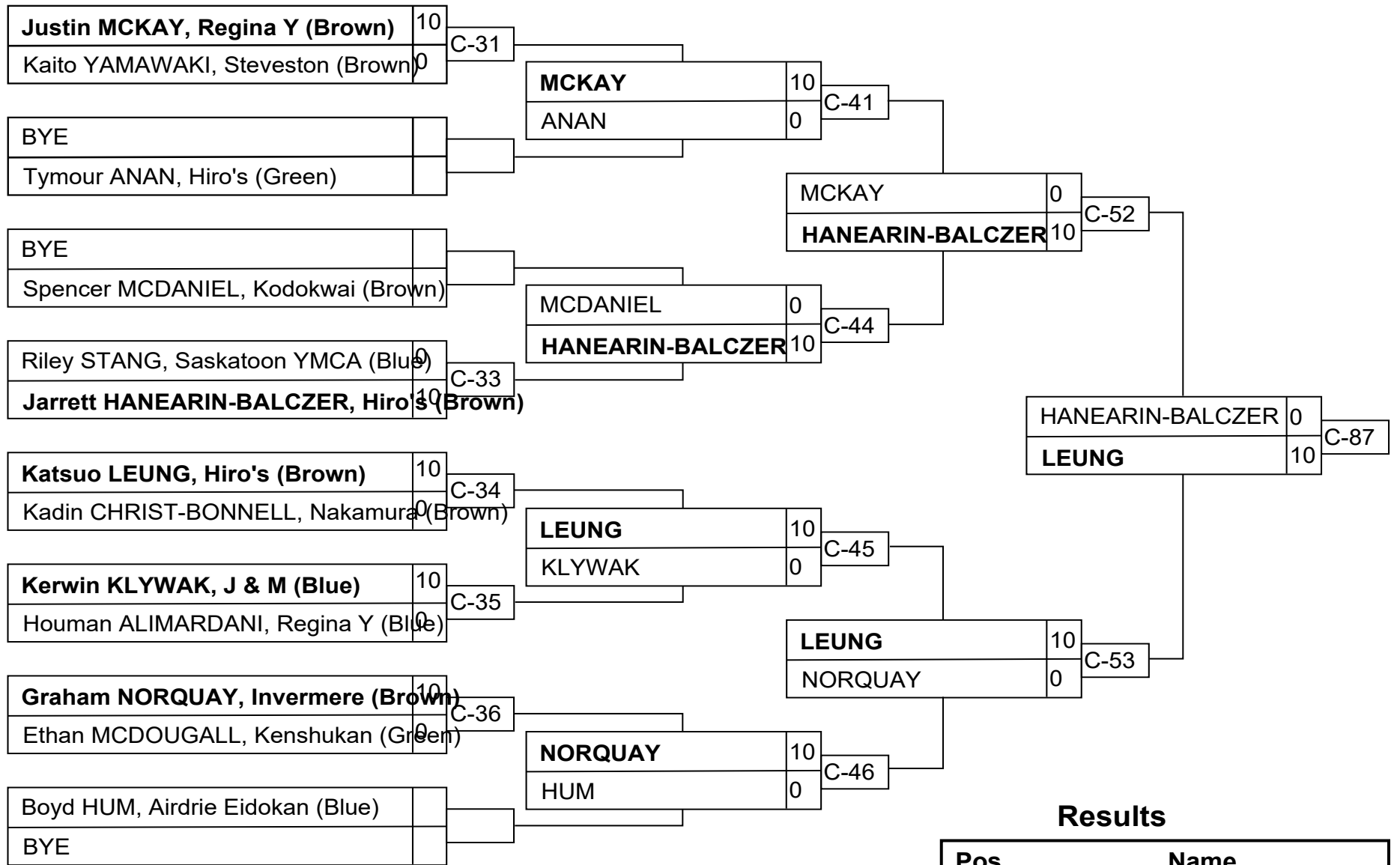
Matches

Match	White			Blue	Result	Time	Code
A-33	Asher YOUNG	4	5	Aidan KEYES	10 - 0	1:06	WIP
A-34	Maximus JOE	1	2	Douglas O'BRIEN	10 - 0	3:07	IPO
A-38	Kelden CHRIST-BONNELL	3	4	Asher YOUNG	0 - 10	3:07	IPO
A-39	Maximus JOE	1	5	Aidan KEYES	10 - 0	0:51	IPO
A-47	Douglas O'BRIEN	2	3	Kelden CHRIST-BONNELL	10 - 0	0:24	WIP
A-48	Maximus JOE	1	4	Asher YOUNG	10 - 0	1:43	IPO
A-58	Kelden CHRIST-BONNELL	3	5	Aidan KEYES	10 - 0	2:50	IPO
A-59	Douglas O'BRIEN	2	4	Asher YOUNG	0 - 5	4:00	WAZ
A-69	Maximus JOE	1	3	Kelden CHRIST-BONNELL	10 - 0	0:55	IPO
A-70	Douglas O'BRIEN	2	5	Aidan KEYES	10 - 0	1:22	WIP

Results

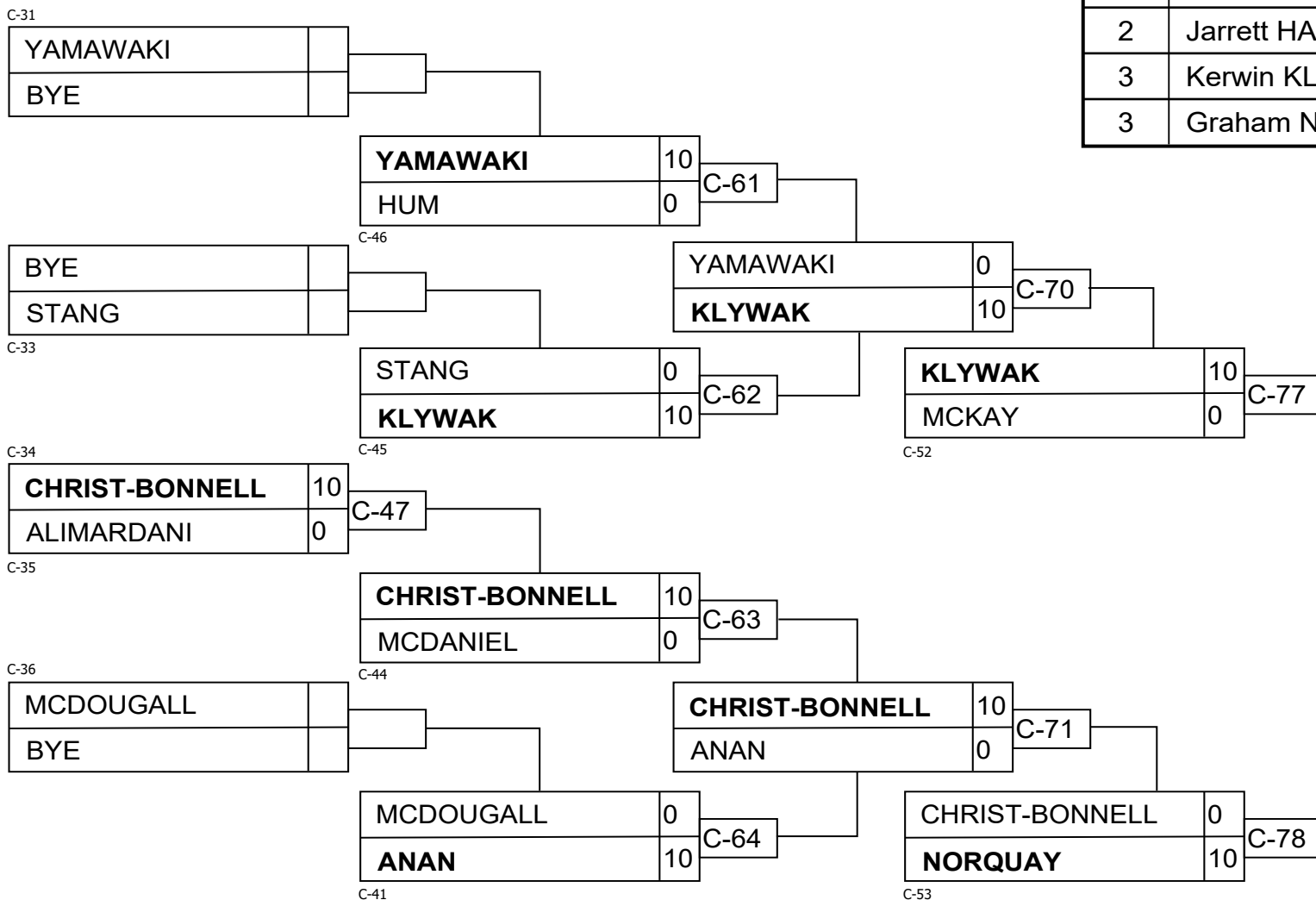
Pos	Name
1	Maximus JOE, Burnaby
2	Asher YOUNG, Hart
3	Douglas O'BRIEN, Hiro's
4	Kelden CHRIST-BONNELL, Nakamura

U18M -55 kg

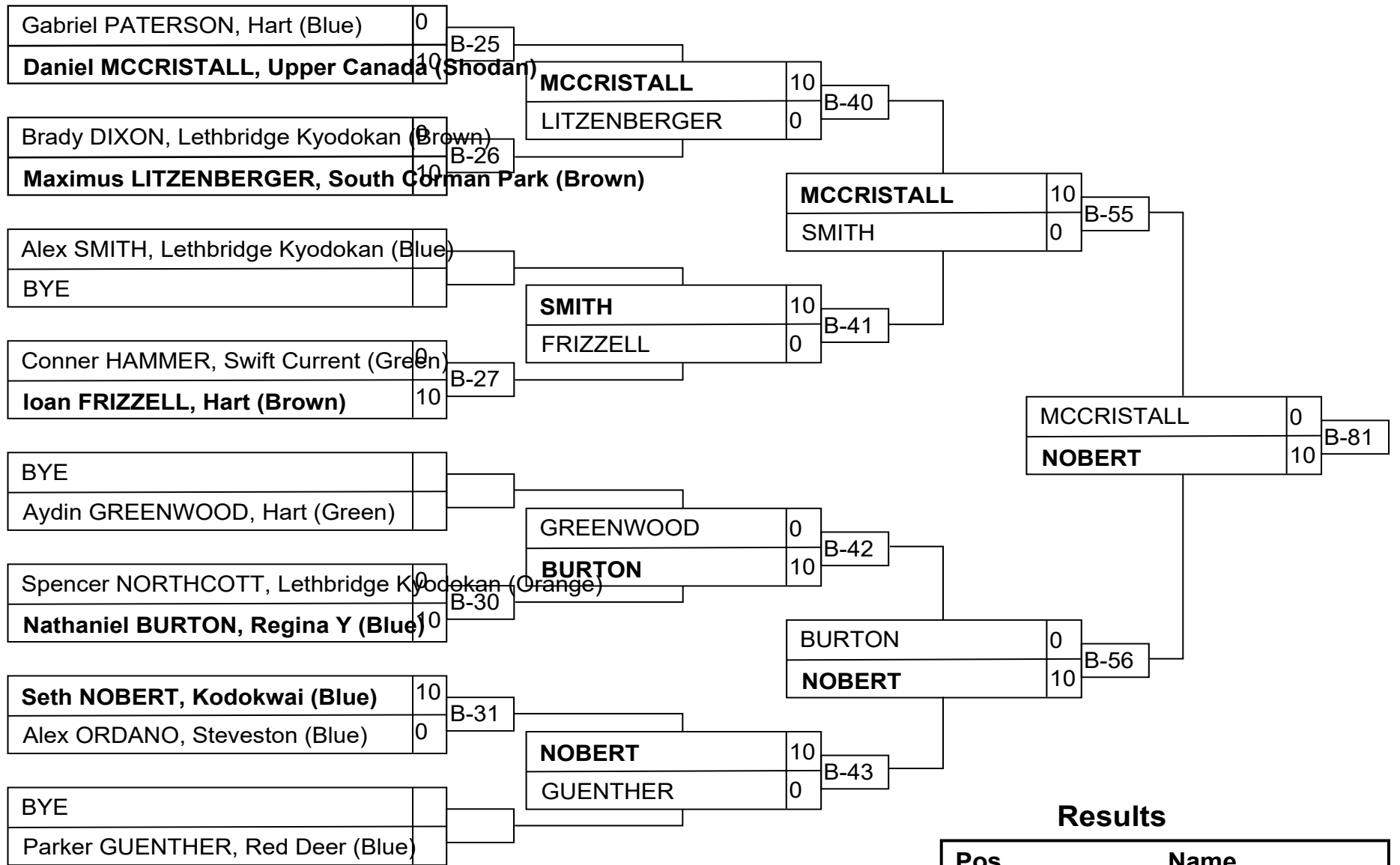


Results

Pos	Name
1	Katsuo LEUNG, Hiro's (Brown)
2	Jarrett HANEARIN-BALCZER, Hiro's (Brown)
3	Kerwin KLYWAK, J & M (Blue)
3	Graham NORQUAY, Invermere (Brown)

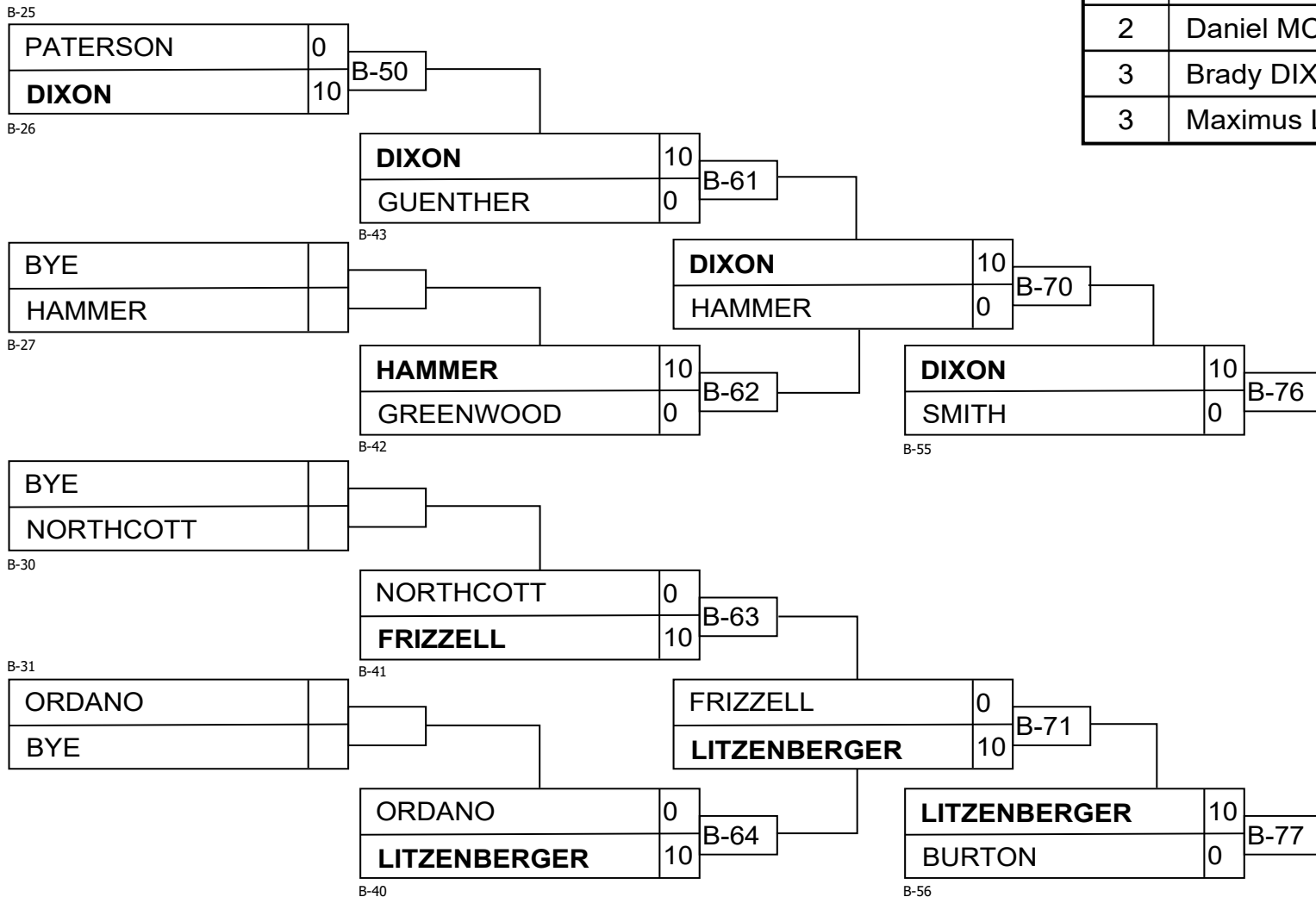


U18M -60 kg

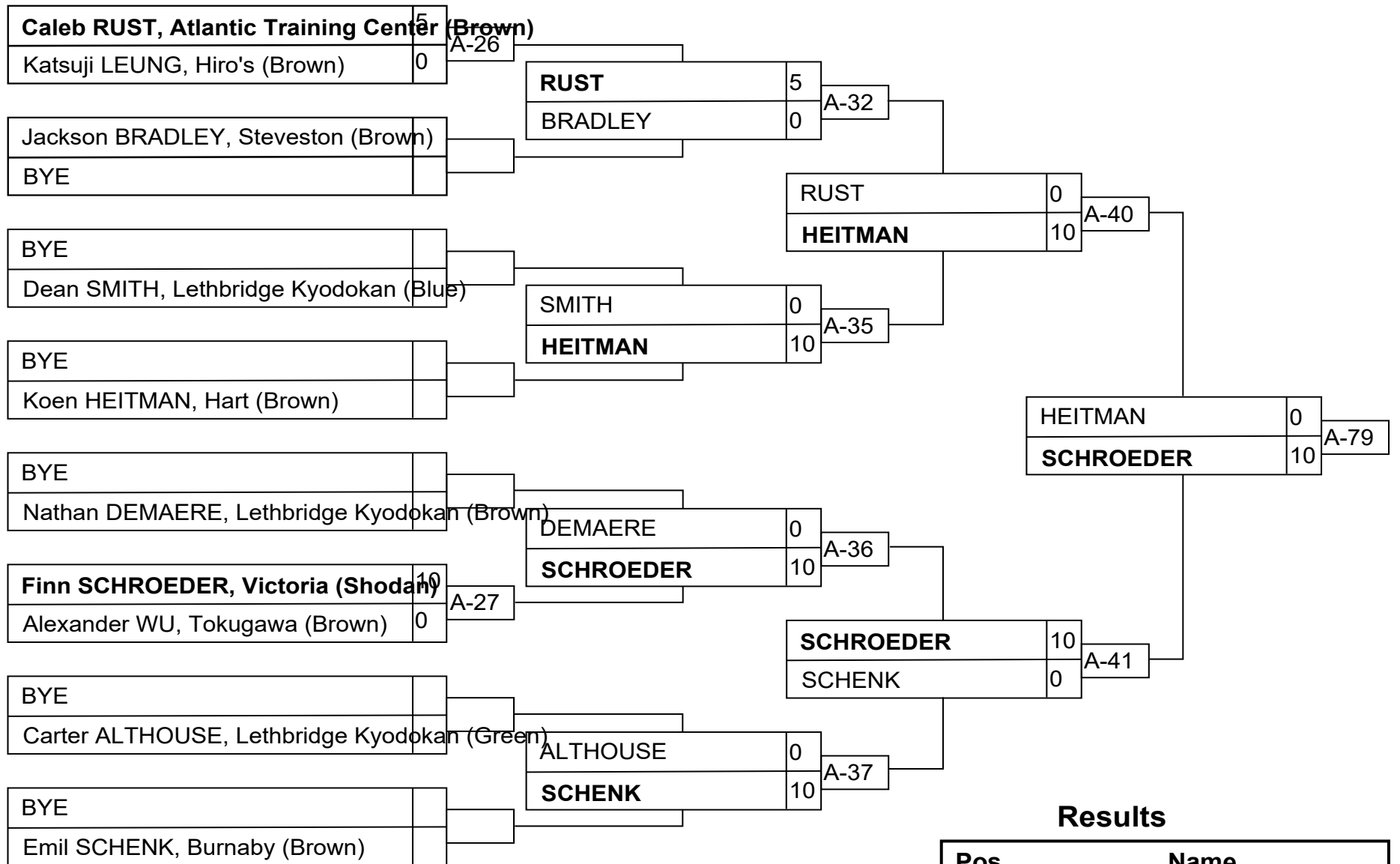


Results

Pos	Name
1	Seth NOBERT, Kodokwai (Blue)
2	Daniel MCCRISTALL, Upper Canada (Shodan)
3	Brady DIXON, Lethbridge Kyodokan (Brown)
3	Maximus LITZENBERGER, South Corman Park (Brown)

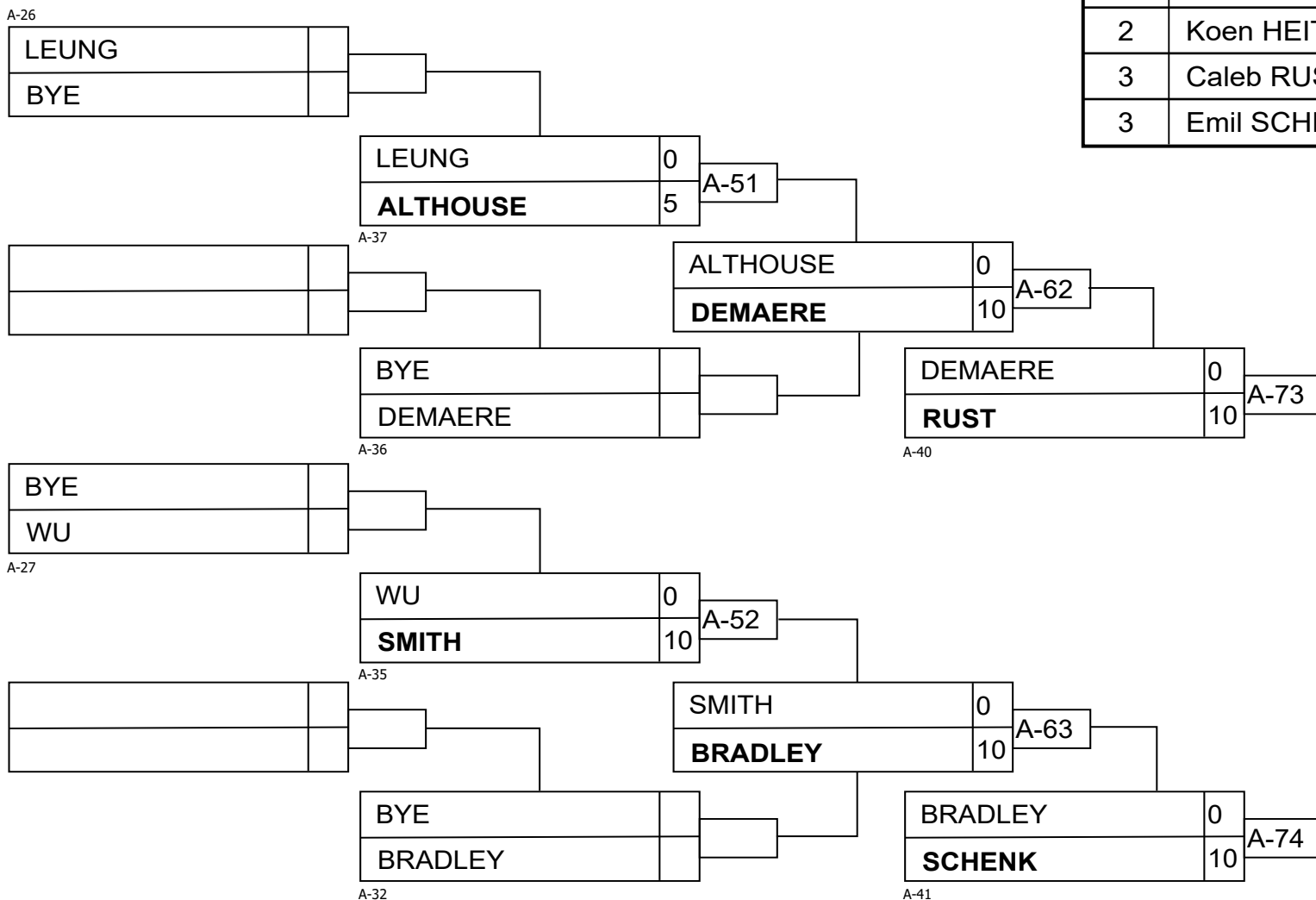


U18M -66 kg

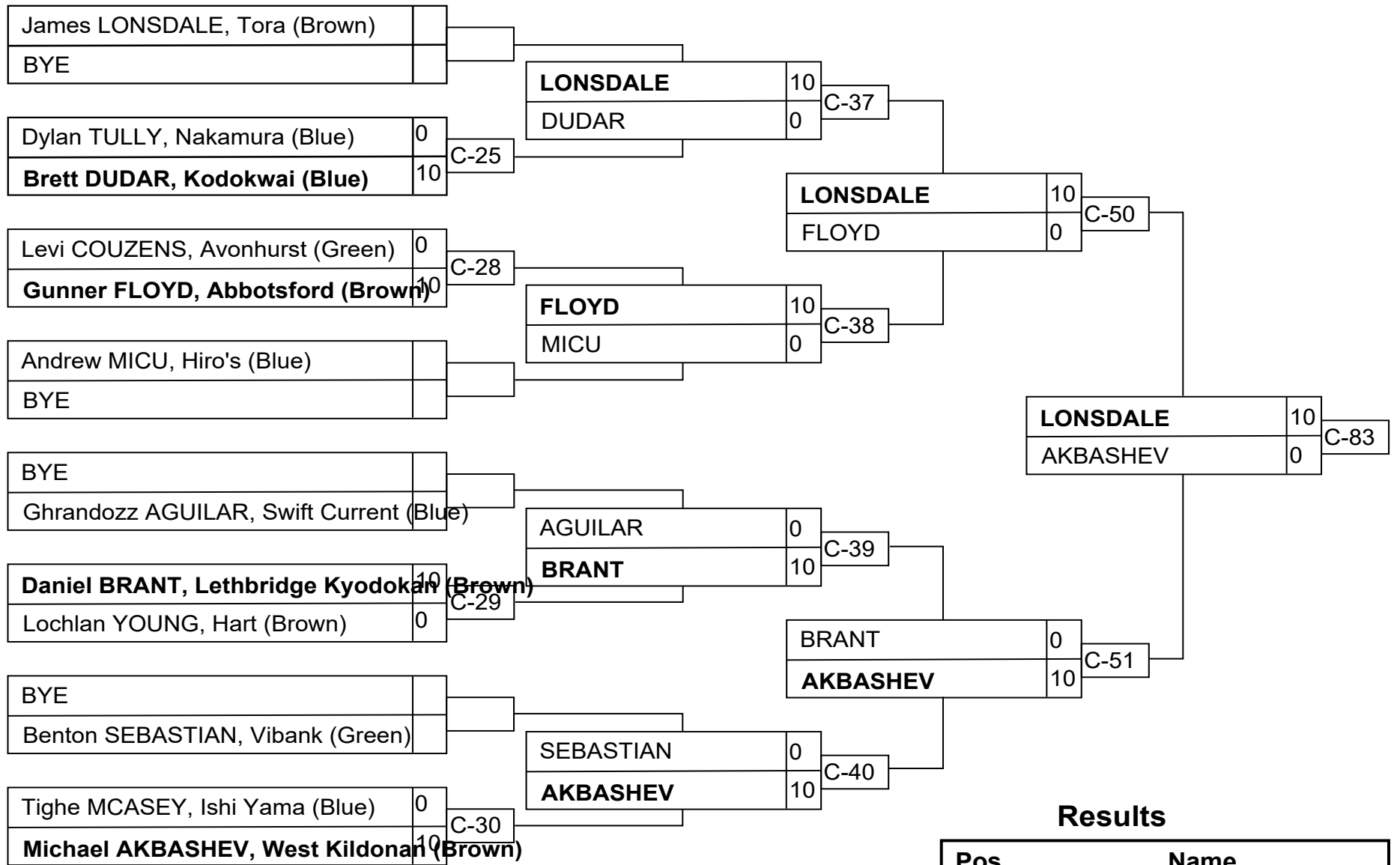


Results

Pos	Name
1	Finn SCHROEDER, Victoria (Shodan)
2	Koen HEITMAN, Hart (Brown)
3	Caleb RUST, Atlantic Training Center (Brown)
3	Emil SCHENK, Burnaby (Brown)

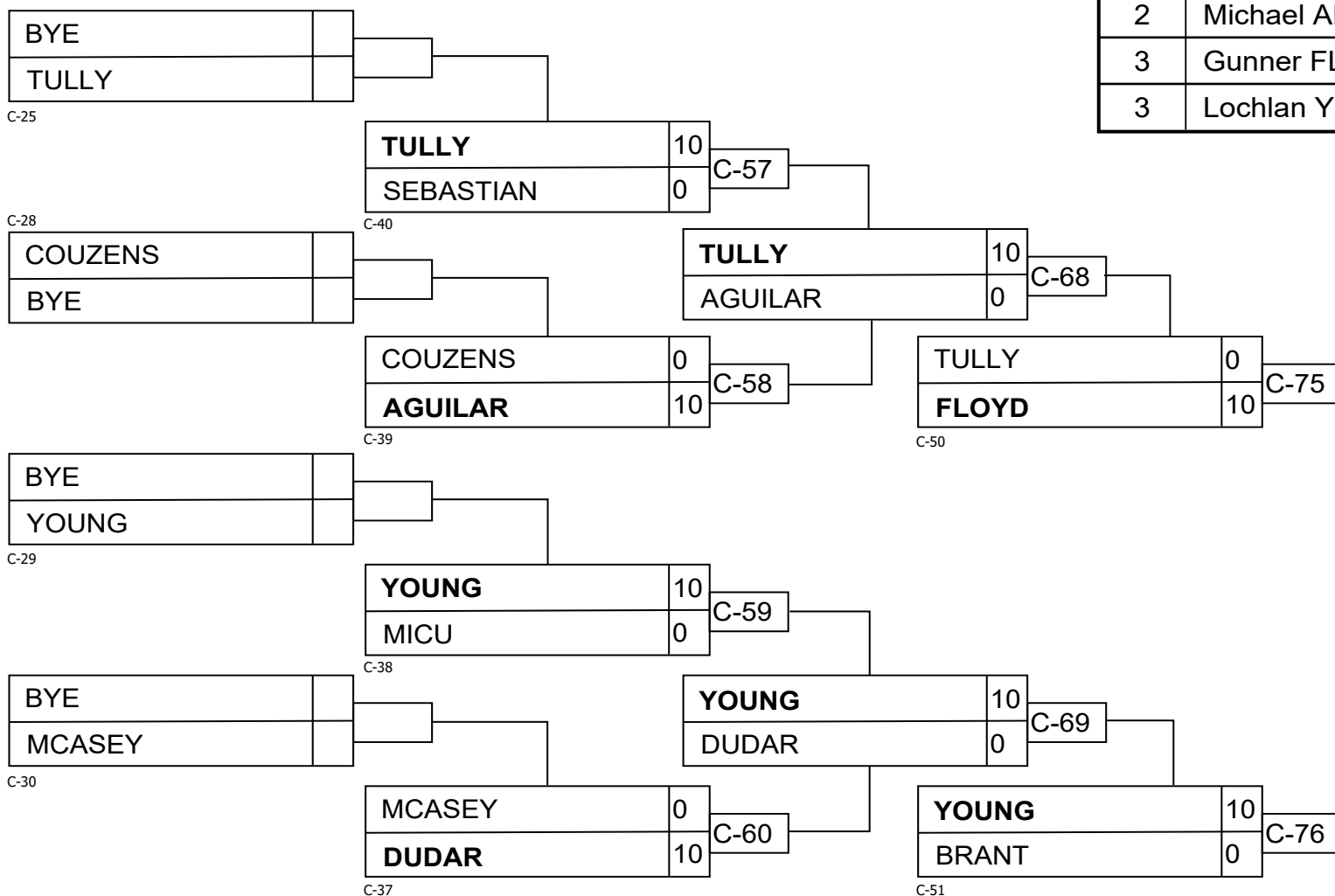


U18M -73 kg



Results

Pos	Name
1	James LONSDALE, Tora (Brown)
2	Michael AKBASHEV, West Kildonan (Brown)
3	Gunner FLOYD, Abbotsford (Brown)
3	Lochlan YOUNG, Hart (Brown)



U18M -81 kg

Competitors

#	Name	Grade	Club	1	2	3	4	5	Wins	Pts	Pos
1	Noah LATIMER	Brown	Atlantic Training Center	XX			10	10	2	20	3
2	Payton HARRIS	Shodan	Abbotsford	10	XX	10	10	10	4	40	1
3	Taylor ALTHOUSE	Brown	Lethbridge Kyodokan	10		XX	10	10	3	30	2
4	Dylan ORDANO	Brown	Steveston				XX	10	1	10	4
5	Pierce JING	Blue	Steveston					XX	0	0	5

Matches

Match	White			Blue	Result	Time	Code
B-38	Dylan ORDANO	4	5	Pierce JING	10 - 0	0:15	IPO
B-39	Noah LATIMER	1	2	Payton HARRIS	0 - 10	0:13	IPO
B-48	Taylor ALTHOUSE	3	4	Dylan ORDANO	10 - 0	1:00	IPO
B-49	Noah LATIMER	1	5	Pierce JING	10 - 0	2:40	HAN
B-53	Payton HARRIS	2	3	Taylor ALTHOUSE	10 - 0	1:21	IPO
B-54	Noah LATIMER	1	4	Dylan ORDANO	10 - 0	1:39	WIP
B-59	Taylor ALTHOUSE	3	5	Pierce JING	10 - 0	0:31	IPO
B-60	Payton HARRIS	2	4	Dylan ORDANO	10 - 0	0:54	IPO
B-68	Noah LATIMER	1	3	Taylor ALTHOUSE	0 - 10	2:27	IPO
B-69	Payton HARRIS	2	5	Pierce JING	10 - 0	0:10	IPO

Results

Pos	Name
1	Payton HARRIS, Abbotsford
2	Taylor ALTHOUSE, Lethbridge Kyodokan
3	Noah LATIMER, Atlantic Training Center
4	Dylan ORDANO, Steveston

U18M +90 kg

Competitors

#	Name	Grade	Club	1	2	1	2	1	2	Wins	Pts	Pos
1	Jadon LEENDERS	Green	Shiroumakai	XX	10	XX	10	XX		2	20	1
2	Jonz POLLEY	Green	Saskatoon YMCA		XX		XX		XX	0	0	2

Matches

Match	White			Blue	Result	Time	Code
B-88	Jadon LEENDERS	1	2	Jonz POLLEY	10 - 0	2:00	WIP
B-94	Jonz POLLEY	2	1	Jadon LEENDERS	0 - 10	0:54	WIP
B-100	Jadon LEENDERS	1	2	Jonz POLLEY			

Results

Pos	Name
1	Jadon LEENDERS, Shiroumakai

U21F -52 kg

Competitors

#	Name	Grade	Club	1	2	3	Wins	Pts	Pos
1	Seleena BRESSON-ADAMS	Green	Lethbridge Kyodokan	XX	10		1	10	2
2	Despina CHRISTOU	Brown	Hiro's		XX		0	0	3
3	Brooke CORBETT	Blue	Hart	10	10	XX	2	20	1

Matches

Match	White			Blue	Result	Time	Code
B-96A	Seleena BRESSON-ADAMS	1	2	Despina CHRISTOU	10 - 0	4:22	GSI
B-99A	Seleena BRESSON-ADAMS	1	3	Brooke CORBETT	0 - 10	0:54	IPO
B-102A	Despina CHRISTOU	2	3	Brooke CORBETT	0 - 10	1:46	IPO

Results

Pos	Name
1	Brooke CORBETT, Hart
2	Seleena BRESSON-ADAMS, Lethbridge Kyodokan

U21F -57 kg

Competitors

#	Name	Grade	Club	1	2	1	2	1	2	Wins	Pts	Pos
1	Sydney GREVATT	Brown	Vernon	XX		XX		XX		0	0	2
2	Alexandra GAGNON	Shodan	Tolide	10	XX	10	XX		XX	2	20	1

Matches

Match	White			Blue	Result	Time	Code
B-97A	Sydney GREVATT	1	2	Alexandra GAGNON	0 - 10	2:17	IPO
B-100A	Alexandra GAGNON	2	1	Sydney GREVATT	10 - 0	0:18	IPO
B-102B	Sydney GREVATT	1	2	Alexandra GAGNON			

Results

Pos	Name
1	Alexandra GAGNON, Tolide

U21F -70 kg

Competitors

#	Name	Grade	Club	1	2	1	2	1	2	Wins	Pts	Pos
1	Isabelle HARRIS	Shodan	Abbotsford	XX	10	XX	10	XX		2	20	1
2	Jane POLLEY	Blue	Saskatoon YMCA		XX		XX		XX	0	0	2

Matches

Match	White	1	2	Blue	Result	Time	Code
C-1	Isabelle HARRIS	1	2	Jane POLLEY	10 - 0	0:59	WIP
C-3	Jane POLLEY	2	1	Isabelle HARRIS	0 - 10	0:51	IPO
C-5	Isabelle HARRIS	1	2	Jane POLLEY			

Results

Pos	Name
1	Isabelle HARRIS, Abbotsford

U21M -60 kg

Competitors

#	Name	Grade	Club	1	2	3	4	Wins	Pts	Pos
1	Maxwell YOUNG	Shodan	Hart	XX			5	1	5	3
2	Anthony HENRY	Brown	Campbell River	10	XX	10	10	3	30	1
3	Ariel MESONGNIK	Brown	U of M	10		XX	10	2	20	2
4	Kyle MCKAY	Brown	Regina Y				XX	0	0	4

Matches

Match	White			Blue	Result	Time	Code
B-86	Maxwell YOUNG	1	2	Anthony HENRY	0 - 10	2:39	WIP
B-87	Ariel MESONGNIK	3	4	Kyle MCKAY	10 - 0	1:28	WIP
B-92	Maxwell YOUNG	1	3	Ariel MESONGNIK	0 - 10	3:50	IPO
B-93	Anthony HENRY	2	4	Kyle MCKAY	10 - 0	0:54	IPO
B-98	Maxwell YOUNG	1	4	Kyle MCKAY	5 - 0	4:00	WAZ
B-99	Anthony HENRY	2	3	Ariel MESONGNIK	10 - 0	1:14	WIP

Results

Pos	Name
1	Anthony HENRY, Campbell River
2	Ariel MESONGNIK, U of M
3	Maxwell YOUNG, Hart

U21M -66 kg

Competitors

#	Name	Grade	Club	1	2	3	4	5	Wins	Pts	Pos
1	Amirhossein BARATI	Shodan	Burnaby	XX		10	10		2	20	3
2	Dontae DE JESUS	Brown	Action & Reaction	10	XX	5	10	10	4	35	1
3	Turner CYR	Shodan	Abbotsford			XX	10	10	2	20	2
4	Kaeden RENDEK	Shodan	Saskatoon YMCA				XX		0	0	5
5	Erik VANDERSANDEN	Shodan	Upper Canada	10			10	XX	2	20	4

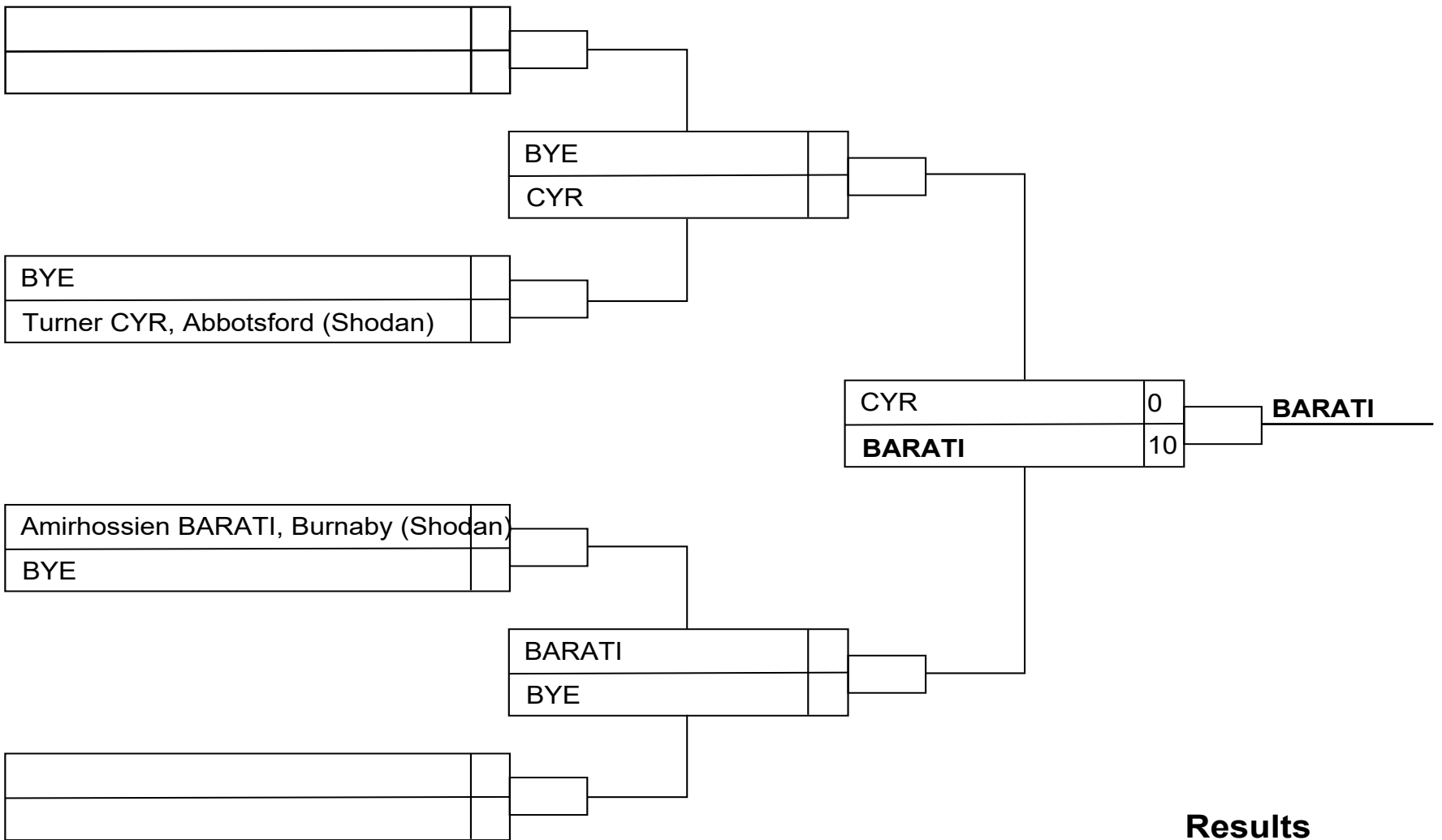
Matches

Match	White			Blue	Result	Time	Code
C-79	Kaeden RENDEK	4	5	Erik VANDERSANDEN	0 - 10	3:12	IPO
C-80	Amirhossein BARATI	1	2	Dontae DE JESUS	0 - 10	2:35	HAN
C-84	Turner CYR	3	4	Kaeden RENDEK	10 - 0	2:44	IPO
C-85	Amirhossein BARATI	1	5	Erik VANDERSANDEN	0 - 10	2:15	IPO
C-89	Dontae DE JESUS	2	3	Turner CYR	5 - 0	4:00	WAZ
C-90	Amirhossein BARATI	1	4	Kaeden RENDEK	10 - 0	4:31	GSI
C-94	Turner CYR	3	5	Erik VANDERSANDEN	10 - 0	0:36	IPO
C-95	Dontae DE JESUS	2	4	Kaeden RENDEK	10 - 0	0:36	IPO
C-99	Amirhossein BARATI	1	3	Turner CYR	10 - 0	1:12	IPO
C-100	Dontae DE JESUS	2	5	Erik VANDERSANDEN	10 - 0	2:26	DHM

Results

Pos	Name
1	Dontae DE JESUS, Action & Reaction
2	Turner CYR, Abbotsford
3	Amirhossein BARATI, Burnaby
4	Erik VANDERSANDEN, Upper Canada

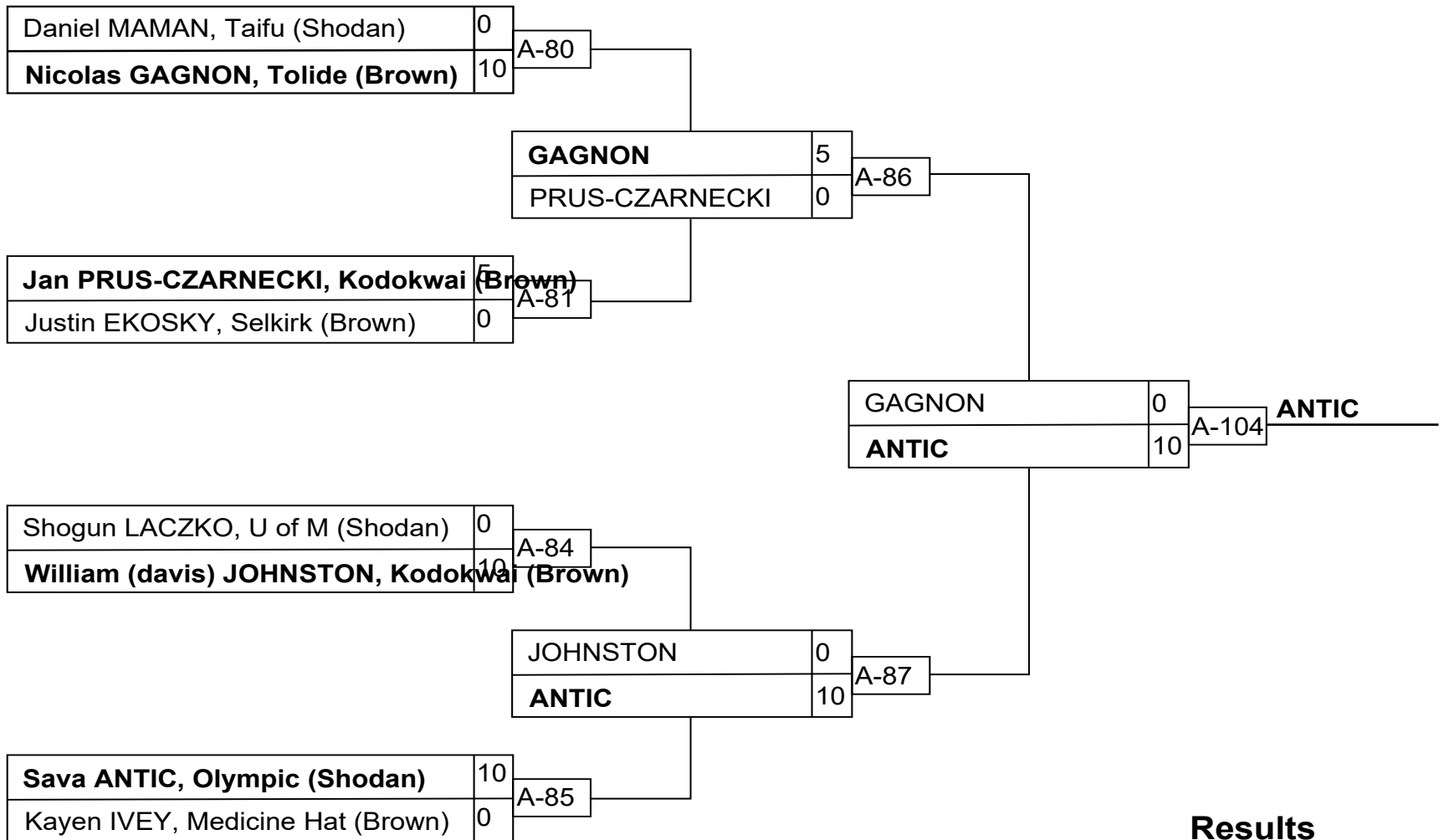
U21M -66 kg 2-Way Tie



Results

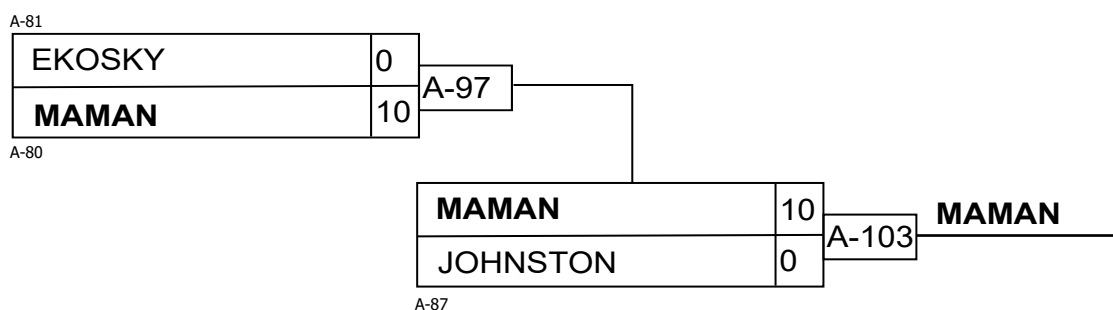
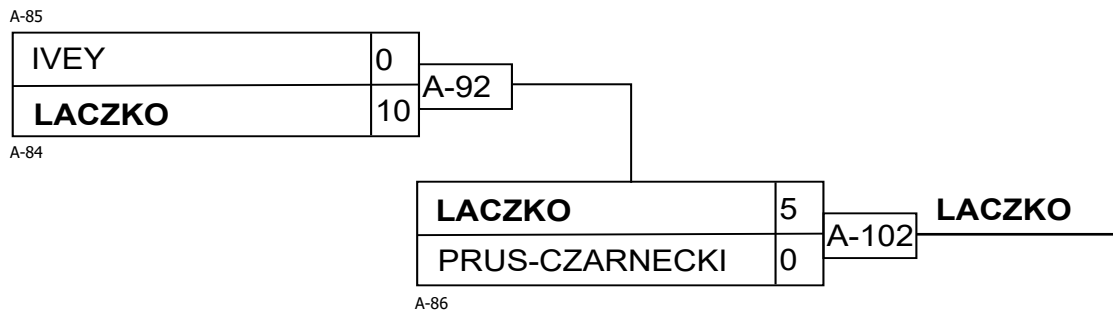
Pos	Name
1	Amirhossien BARATI, Burnaby (Shodan)
2	Turner CYR, Abbotsford (Shodan)
3	
3	

U21M -73 kg



Results

Pos	Name
1	Sava ANTIC, Olympic (Shodan)
2	Nicolas GAGNON, Tolide (Brown)
3	Shogun LACZKO, U of M (Shodan)
3	Daniel MAMAN, Taifu (Shodan)



U21M -81 kg

Competitors A

#	Name	Grade	Club	1	2	3	4	Wins	Pts	Pos
1	Zachary RENDER	Brown	Lethbridge Kyodokan	XX			10	1	10	3
2	Travis MILLS	Brown	Saskatoon YMCA	10	XX	10	10	3	30	1
3	Ben ANDREWS	Shodan	Upper Canada	10		XX	10	2	20	2
4	Bailey MALINOWSKI	Brown	Selkirk				XX	0	0	4

Matches A

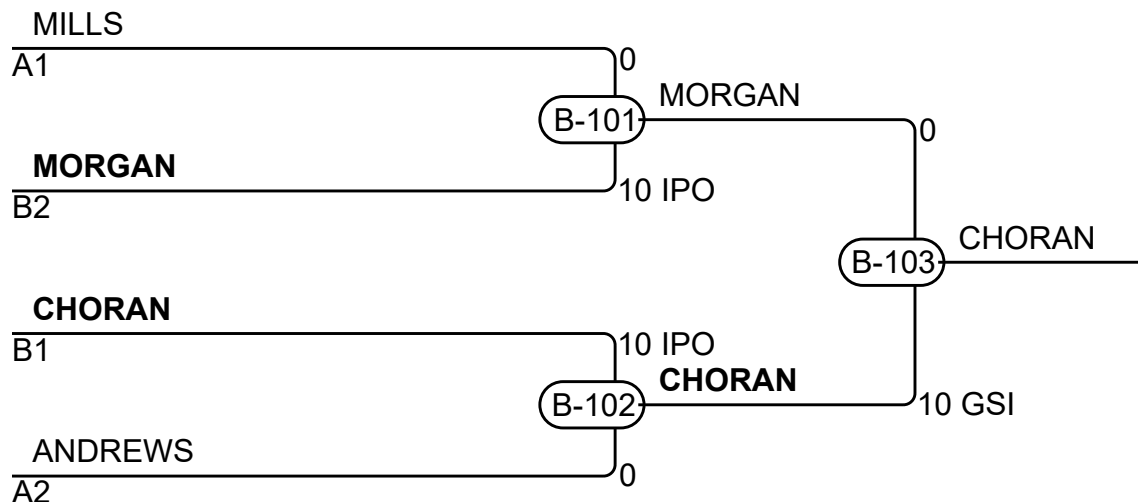
Match	White	Blue	Result	Time	Code
B-83	Zachary RENDER 1 2	Travis MILLS	0 - 10	0:15	IPO
B-84	Ben ANDREWS 3 4	Bailey MALINOWSKI	10 - 0	0:27	IPO
B-89	Zachary RENDER 1 3	Ben ANDREWS	0 - 10	2:17	IPO
B-90	Travis MILLS 2 4	Bailey MALINOWSKI	10 - 0	1:33	IPO
B-95	Zachary RENDER 1 4	Bailey MALINOWSKI	10 - 0	0:28	IPO
B-96	Travis MILLS 2 3	Ben ANDREWS	10 - 0	2:21	IPO

Competitors B

#	Name	Grade	Club	5	6	7	Wins	Pts	Pos
5	Daniel BAGNELL	Brown	Saskatoon YMCA	XX			0	0	3
6	Solomon CHORAN	Brown	Art of Balance	10	XX	10	2	20	1
7	Mckenzie MORGAN	Shodan	Airdrie Eidokan	10		XX	1	10	2

Matches B

Match	White	Blue	Result	Time	Code
B-85	Daniel BAGNELL 5 6	Solomon CHORAN	0 - 10	1:51	IPO
B-91	Daniel BAGNELL 5 7	Mckenzie MORGAN	0 - 10	1:05	IPO
B-97	Solomon CHORAN 6 7	Mckenzie MORGAN	10 - 0	1:32	WIP



Results

Pos	Name
1	Solomon CHORAN, Art of Balance
2	Mckenzie MORGAN, Airdrie Eidokan
3	Travis MILLS, Saskatoon YMCA
3	Ben ANDREWS, Upper Canada

U21M -90 kg

Competitors

#	Name	Grade	Club	1	2	3	4	5	Wins	Pts	Pos
1	Rowen KINGSTON	Blue	Shiroumakai	XX	10		10		2	20	3
2	Evan NADURAK	Orange	Avonhurst		XX				0	0	5
3	Ijob HAMRAEV	Blue	Manitou Judo Club	10	10	XX	10		3	30	2
4	Sasha TANASIUK	Green	Kodokwai		10		XX	10	2	20	4
5	Ethan COBBE-HOGGAN	Brown	Medicine Hat	10	10	10		XX	3	30	1

Matches

Match	White			Blue	Result	Time	Code
C-81	Sasha TANASIUK	4	5	Ethan COBBE-HOGGAN	10 - 0	0:51	IPO
C-82	Rowen KINGSTON	1	2	Evan NADURAK	10 - 0	0:38	IPO
C-86	Ijob HAMRAEV	3	4	Sasha TANASIUK	10 - 0	0:15	IPO
C-88	Rowen KINGSTON	1	5	Ethan COBBE-HOGGAN	0 - 10	1:10	IPO
C-92	Evan NADURAK	2	3	Ijob HAMRAEV	0 - 10	0:09	IPO
C-93	Rowen KINGSTON	1	4	Sasha TANASIUK	10 - 0	0:13	IPO
C-97	Ijob HAMRAEV	3	5	Ethan COBBE-HOGGAN	0 - 10	0:42	IPO
C-98	Evan NADURAK	2	4	Sasha TANASIUK	0 - 10	0:31	WIP
C-102	Rowen KINGSTON	1	3	Ijob HAMRAEV	0 - 10	0:08	IPO
C-103	Evan NADURAK	2	5	Ethan COBBE-HOGGAN	0 - 10	2:27	IPO

Results

Pos	Name
1	Ethan COBBE-HOGGAN, Medicine Hat
2	Ijob HAMRAEV, Manitou Judo Club
3	Rowen KINGSTON, Shiroumakai
4	Sasha TANASIUK, Kodokwai

U21M +100 kg

Competitors

#	Name	Grade	Club	1	2	1	2	1	2	Wins	Pts	Pos
1	Toru IWAASA	Brown	Swift Current	XX	10	XX	10	XX		2	20	1
2	Tigran GHASUMYAN	Green	Steveston		XX		XX		XX	0	0	2

Matches

Match	White			Blue	Result	Time	Code
B-1	Toru IWAASA	1	2	Tigran GHASUMYAN	10 - 0	0:29	IPO
C-2	Tigran GHASUMYAN	2	1	Toru IWAASA	0 - 10	0:18	IPO
C-4	Toru IWAASA	1	2	Tigran GHASUMYAN			

Results

Pos	Name
1	Toru IWAASA, Swift Current

VETM1 -90 kg

Competitors A

#	Name	Grade	Club	1	2	3	4	Wins	Pts	Pos
1	Jr DINGWALL	Brown	South Corman Park	XX		10		1	10	3
2	Robin KURPJUWEIT	Green	Medicine Hat	10	XX	10		2	20	2
3	Paul MCKAY	Blue	Regina Y			XX		0	0	4
4	Brent THOMPSON	Sandan	Nakamura	10	10	10	XX	3	30	1

Matches A

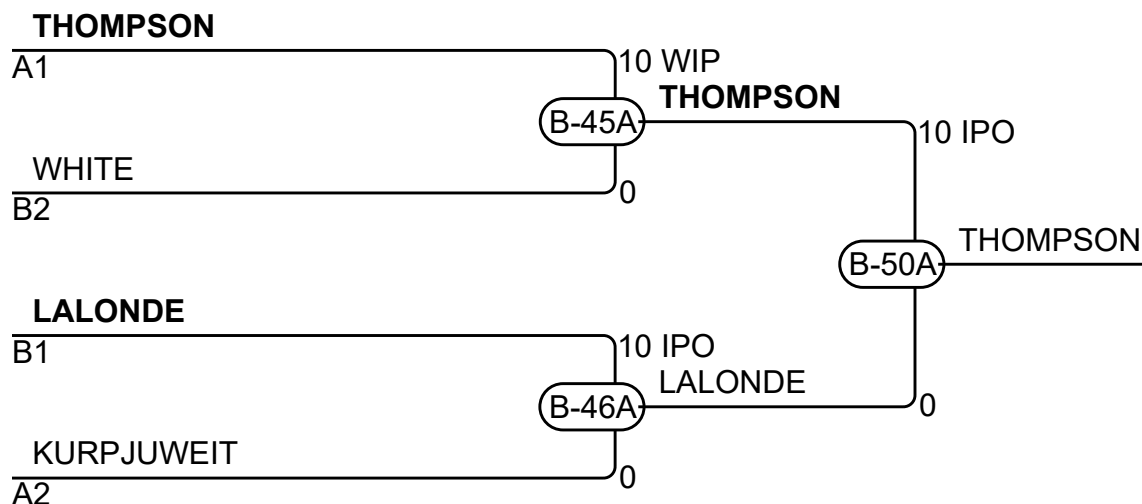
Match	White	Blue	Result	Time	Code
B-30A	Jr DINGWALL 1 2	Robin KURPJUWEIT	0 - 10	0:07	IPO
B-31A	Paul MCKAY 3 4	Brent THOMPSON	0 - 10	0:52	IPO
B-35A	Jr DINGWALL 1 3	Paul MCKAY	10 - 0	1:04	IPO
B-36A	Robin KURPJUWEIT 2 4	Brent THOMPSON	0 - 10	1:54	WIP
B-39A	Jr DINGWALL 1 4	Brent THOMPSON	0 - 10	1:11	IPO
B-40A	Robin KURPJUWEIT 2 3	Paul MCKAY	10 - 0	0:48	IPO

Competitors B

#	Name	Grade	Club	5	6	7	Wins	Pts	Pos
5	Andre KILEY	Blue	Regina Y	XX			0	0	3
6	Ezra LALONDE	Shodan	South Corman Park	10	XX	10	2	20	1
7	Justin WHITE	Blue	Airdrie Eidokan	10		XX	1	10	2

Matches B

Match	White	Blue	Result	Time	Code
B-34A	Andre KILEY 5 6	Ezra LALONDE	0 - 10	1:06	IPO
B-37A	Andre KILEY 5 7	Justin WHITE	0 - 10	0:42	IPO
B-41A	Ezra LALONDE 6 7	Justin WHITE	10 - 0	1:42	IPO



Results

Pos	Name
1	Brent THOMPSON, Nakamura
2	Ezra LALONDE, South Corman Park
3	Justin WHITE, Airdrie Eidokan
3	Robin KURPJUWEIT, Medicine Hat

VETM2 +90 kg

Competitors

#	Name	Grade	Club	1	2	3	Wins	Pts	Pos
1	Robert CZOSNEK	Brown	Nakamura	XX	10		1	10	2
2	Sandor DEMETER	Blue	Nakamura		XX		0	0	3
3	Simon TREMBLAY	Shodan	Kodokwai	10	10	XX	2	20	1

Matches

Match	White			Blue	Result	Time	Code
B-32A	Robert CZOSNEK	1	2	Sandor DEMETER	10 - 0	0:24	IPO
B-38A	Robert CZOSNEK	1	3	Simon TREMBLAY	0 - 10	0:18	IPO
B-42A	Sandor DEMETER	2	3	Simon TREMBLAY	0 - 10	0:35	IPO

Results

Pos	Name
1	Simon TREMBLAY, Kodokwai
2	Robert CZOSNEK, Nakamura